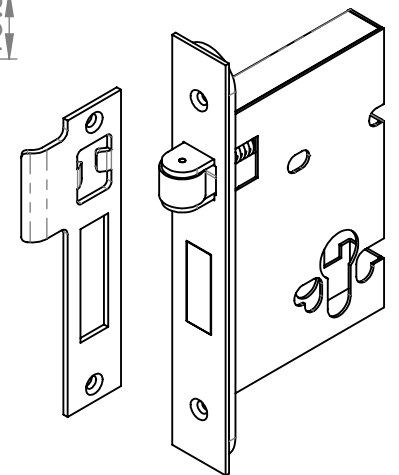
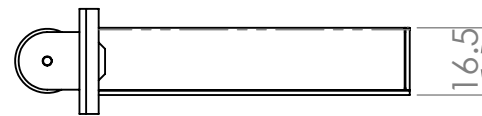
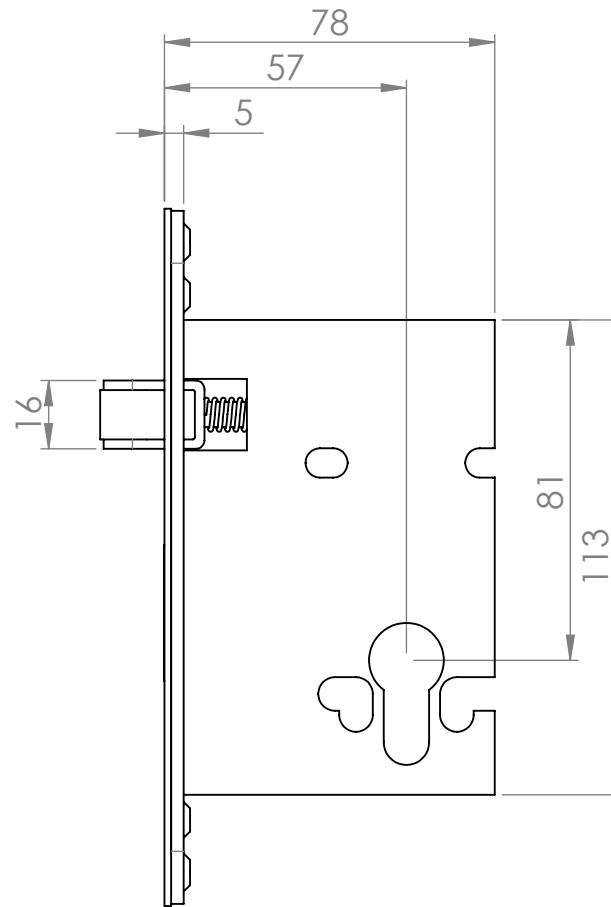
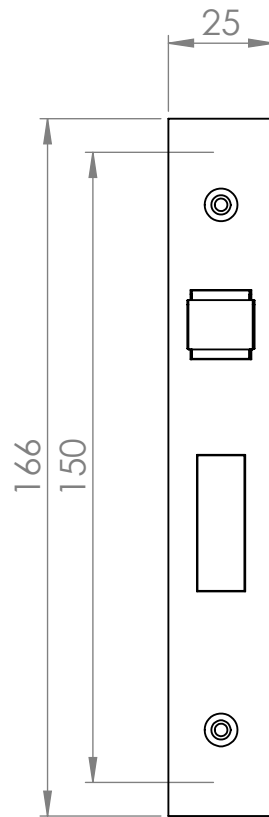


LH & RH included



RSL5030

This drawing is the property of Carlisle Brass Limited, all design rights reserved