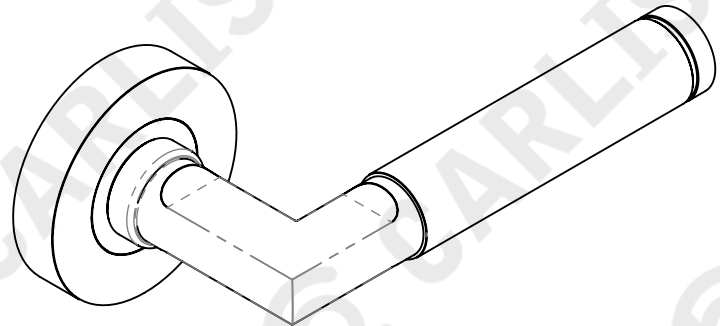
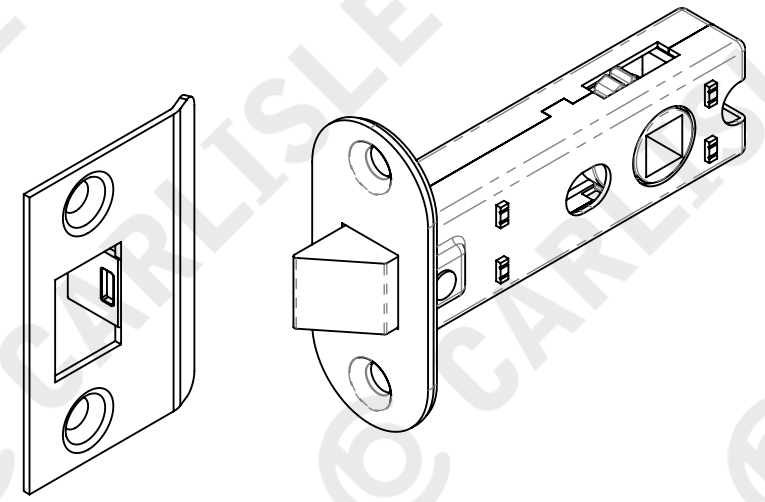
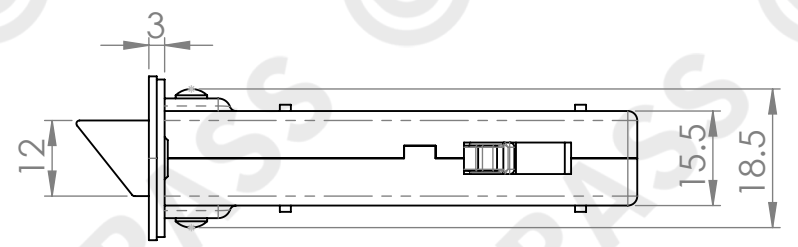
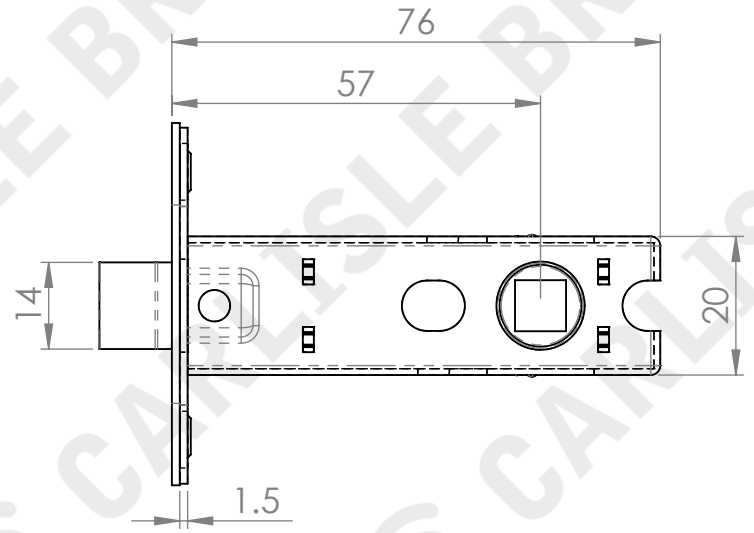
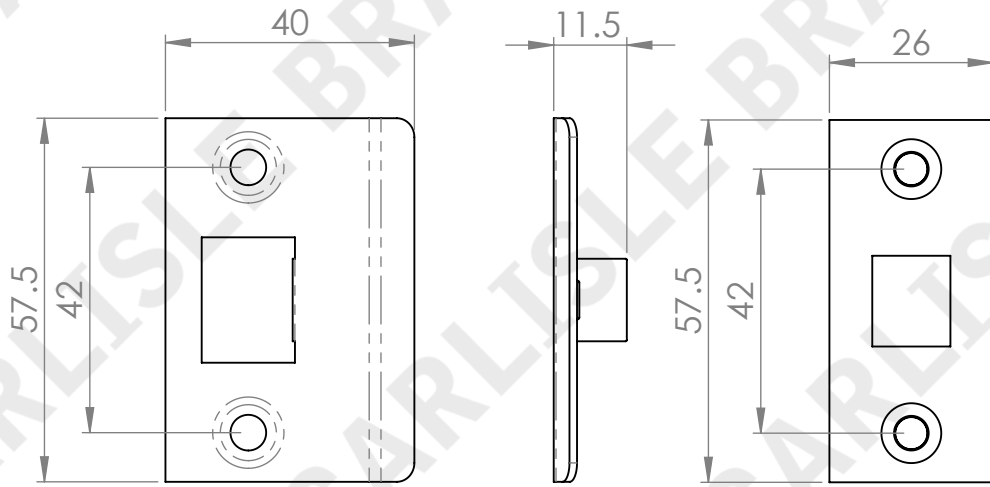


© CARLISLE BRASS

UDP006 - Lever

This drawing is the property of Carlisle Brass Limited, all design rights reserved

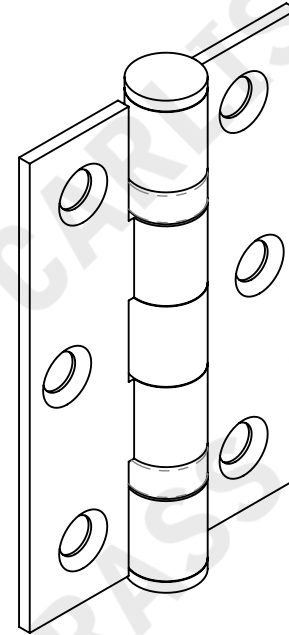
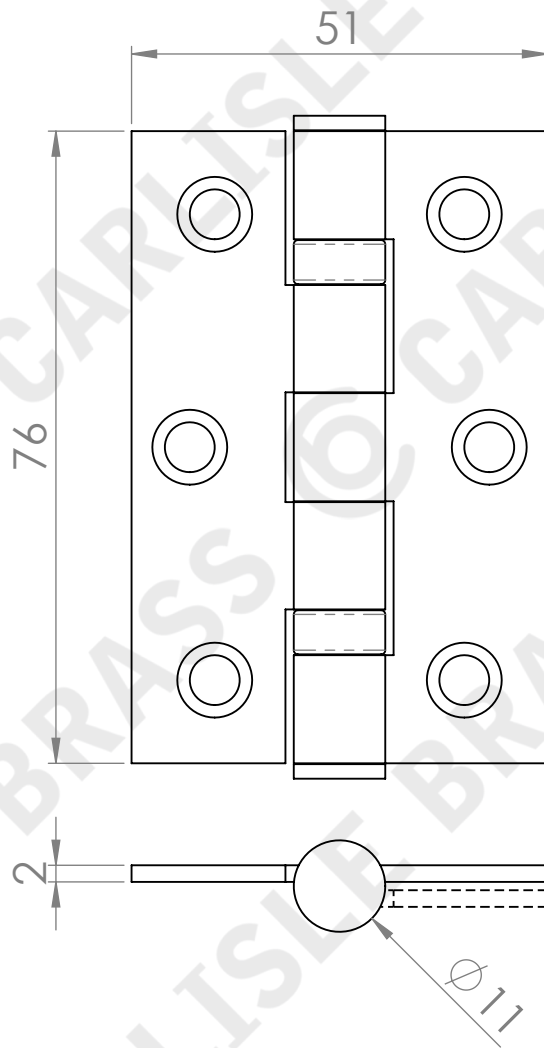




© CARLISLE BRASS

UDP006 - Latch

This drawing is the property of Carlisle Brass Limited, all design rights reserved



© CARLISLE BRASS

UDP006 - Hinge

This drawing is the property of Carlisle Brass Limited, all design rights reserved