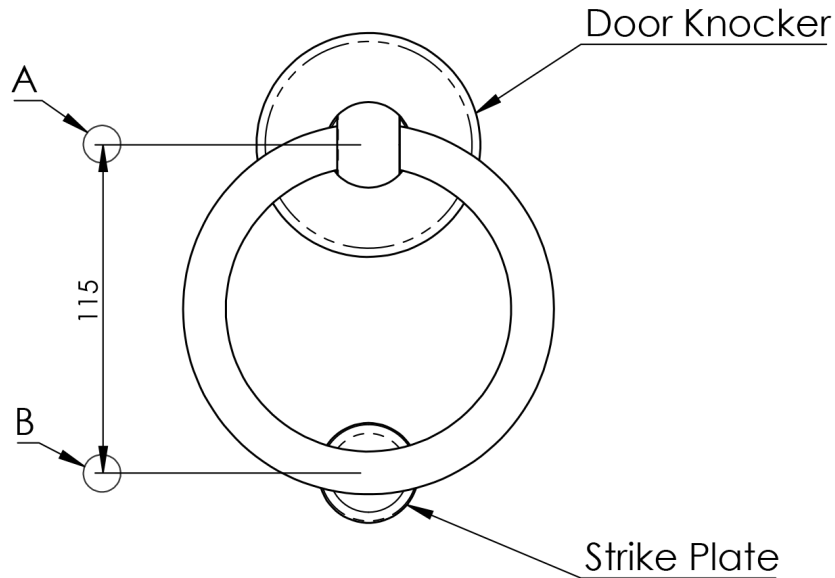
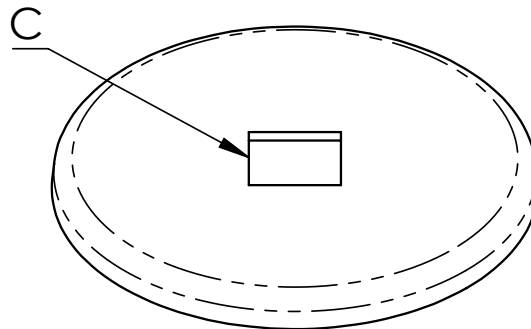


We recommend consulting a professional if you are unfamiliar with installing hardware fixtures.

1. At your desired height, centrally located on the door, mark the position for the **fixing hole A**. 115mm vertically below, mark **fixing hole B**.



2. Using an **8mm drill bit**, carefully drill straight through the door at selected position for **holes A & B**.
3. Insert the knocker into the corresponding square **hole C** on the base.



4. Hold the strike plate tight against the door and insert the threaded bar through the back of the door, and screw into the strike plate.
5. Hold the knocker and the base straight against the front of the door and tighten the threaded bar into the knocker until the entire assembly is secure.

Drawings are not to scale.