

We recommend consulting a professional if you are unfamiliar with installing hardware fixtures.




**PLEASE READ THESE INSTRUCTIONS CAREFULLY**

The Safety features of this product are essential to its compliance with EN 179. No modifications of any kind, other than those described in these instructions, are permitted.

- For use on single outward opening emergency escape route doors
- Suitable for use on timber and steel doors
- Suitable for use on fire doors
- 30 & 60 minutes fire integrity achieved on timber single doors
- 240 minutes on steel single door
- Maximum weight of door = 200kg
- Maximum width of door = 1300mm
- Maximum door distortion of 5mm allowed
- Maximum of 1000N pulling force against the screws achieved under the abuse test

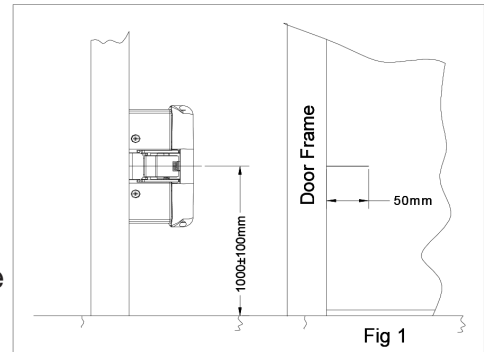
Product Reference
XIA5002

	Carlisle Brass Ltd. Parkhouse Road, Carlisle, CA3 0JU	
	2812-CPR-ABB018	09
BS EN179 : 2008	3	7 6 B 1 4 4 2 B B

Category of projection = Category 2  
Field of Door Application = Category B  
This product has been successfully EN 179 tested with easi-exit External Locking Attachments.

### INSTALLATION - PUSH PAD ONLY

1. At a height of 1000mm +/- 100mm and 50mm from the edge of the door frame, mark the door. This will be the centre line for the Push Pad. See Fig. 1.



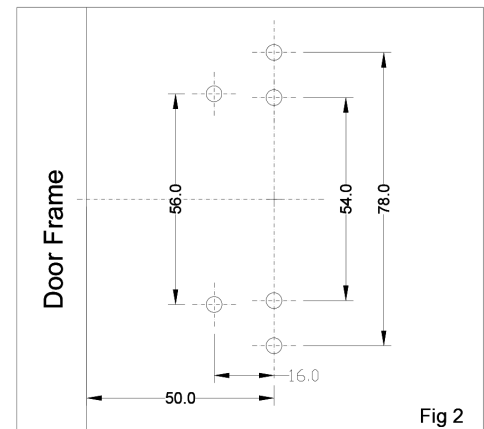
2. Refer to Fig. 2 (Not a template). Pre-drill 6 small pilot holes.

3. Using the provided allen key and screwdriver, remove the four screws to detach mounting plate from Push Pad. See Fig. 3.

4. Securely fix mounting plate to the door with screws provided, ensuring that it is correctly aligned.

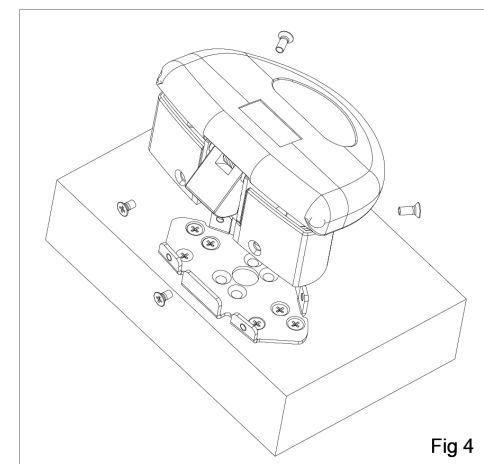
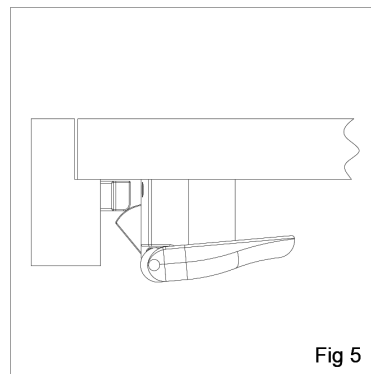
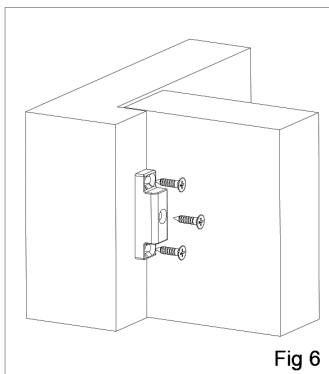
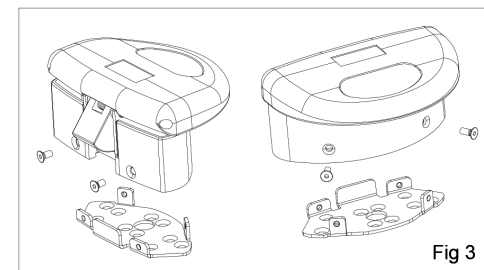
5. Refit Push Pad to mounting plate. See Fig. 4.

6. With the door in closed position, hold striker on door frame and move it until it touches the latch bolt and mark frame for relevant fixing holes. See Fig 5.



7. Open door and fit the top and bottom screws. Close the door to ensure striker is correctly positioned. Adjust if necessary and fit centre screw. See Fig. 6

8. Stick the Logo and LH or RH photo luminescent 'PUSH' sign in the Push Pad recesses.



FITCB0121 | Revision A

---

**OPERATIONAL INSTRUCTIONS AND MAINTENANCE**

---

This Push Pad is fitted to comply with EN 179

After 20,000 operations, lubricate using GT85 PTFE solution or similar. Repeat after each additional 20,000 operations.

Ensure all fixings are secure, and that the striker is clean and free from obstruction.

Check for correct operation.

**PLEASE LEAVE THESE INSTRUCTIONS WITH THE END USER**

Drawings are not to scale.

**BS EN179 Emergency exit devices operated by a lever handle or push pad for use on escape routes**

**Annex A**

**Installation and Fitting Instructions**

A.1 The producer shall specify the appropriate fixing arrangement for the door types for which the exit device is designed.

A.2 Before fitting an exit device to a door, the door should be checked to ensure correct hanging and freedom from blinding. It is not recommended, for example, that exit devices be fitted to hollow core doors unless specially designed by the producer for this type of door. It is recommended to verify that the door construction allows the use of the device, i.e. to verify that offset hinges and engaging leaves allow both leaves to be opened simultaneously (See A4), or to verify that the gap between door leaves does not differ from that defined by the exit device producer, or to verify that the opening elements do not interfere, etc.

A.3 Before fitting an emergency exit device to a fire/smoke resisting door, the fire certification of the fire door assembly on which the exit device has been tested to prove suitability for use on a fire door should be examined. It is of utmost importance that an exit device is not used on a fire door assembly of a greater fire resistance time than approved for. See Annex B.

A.4 Care should be taken to ensure that any seals or weather-stripping fitted to the complete door assembly, do not inhibit the correct operation of the emergency exit device.

A.5 On double doorsets with rebated meeting stiles and where both leaves are fitted with emergency exit devices, it is essential to check that either leaf will open when its emergency exit device is activated and also that both leaves will open freely when both emergency exit devices are operated simultaneously.

A.6 Where emergency exit devices are manufactured in more than one size, it is important that the correct size is selected.

A.7 Category 2 (Standard projection) emergency exit devices should be used in situations where there is restricted width for escape, or where the doors to be fitted with the emergency exit devices are not able to open beyond 90°

A.8 Where an emergency exit device is designed to be fitted to a glazed door, it is essential that the glazing is tempered or laminated glass.

A.9 Different fixing can be necessary for fitting emergency exit devices to wood, metal or frameless glass doors. For more secure fixing, male and female through-door bolts, reinforcement and rivets can be used.

FITCB0121 | Revision A

A.10 Emergency exit devices are not intended for use on double action (double swing) doors unless specifically designed by the exit device producer.

A.11 The fixing instructions should be carefully followed during installation. These instructions and any maintenance instructions should be passed on by the installer to the user. See Annex C

A.12 The operating element should normally be installed at a height of between 900mm and 1100mm from the finished floor level, when the door is in the secured position. Where it is known that the majority of the users of the premises will be young children, consideration should be given to reducing the height of the operating element.

A.13 When installing lever operating emergency exit devices, particularly on doors with raised or recessed surfaces, consideration should be given to minimizing any potential safety risks, such as the trapping of fingers or clothing.

A.14 The bolt heads and keepers should be fitted to provide secure engagement. Care should be taken to ensure that no projection of the bolt heads, when in the withdrawn position, can prevent the door swinging freely.

A.15 Where emergency exit devices are to be fitted to double door sets with rebated meeting stiles and self closing devices, a door coordinator device in accordance with EN 1158 (See Bibliography) should be fitted to ensure the correct closing sequence of the doors. This recommendation is particularly important with regard to smoke/fire-resisting door assemblies.

A.16 No devices for securing the door in the closed position should be fitted other than specified in this European Standard. This does not preclude the installation of self-closing devices.

A.17 If a door closing device is to be used to return the door to the closed position, care should be taken not to impair the use of the doorway by the young, elderly and infirm.

A.18 Any keepers or protection plates provided should be fitted in order to ensure compliance with this European Standard.

A.19 A sign which reads “Rotate handle to open” or “Push to open” as appropriate, or a pictogram should be provided on the inside face of the door immediately above the operating element or on the operating element if it has a sufficient flat face to take the size of lettering required.

For type “B” emergency exit devices intended for use on inwardly opening exit doors, a sign which reads “Rotate handle and pull to open” or “Pull to open” or a pictogram should be provided on the inside face of the door immediately above or on pull pad if it has a sufficient flat face to take the size of lettering required. The surface area of the pictogram should be not less than 8000mm<sup>2</sup> and its colours should be white on a green background. It should be designed such that the arrow points to the operating element, when installed.

FITCB0121 | Revision A

---

## Annex C

---

### Maintenance Instructions

The following information shall accompany the product:-

- A) Inspect and operate the emergency exit device to ensure that all components are in a satisfactory working condition. Using a force gauge, measure and record the operating forces to release the exit device.
- B) Ensure the keeper(s) is (are) free from obstruction.
- C) Check that the emergency exit device is lubricated in accordance with the producer's instructions.
- D) Check that no additional locking devices have been added to the door since its original installation.
- E) Check periodically that all components of the system are still correct in accordance with the list of approved components originally supplied with the system.
- F) Check periodically that the operating element is correctly tightened and, using a force gauge, measure the operating forces to release the exit device. Check that the operating forces have not changed significantly from the operating forces recorded when originally installed.