

CST1015 THUMBTURN & RELEASE FITTING INSTRUCTIONS



Incorrectly installing this product will negatively impact function and lifespan. If you are unsure please contact a professional. Drawings not to scale unless otherwise specified.

Suitable for door thickness up to 55mm

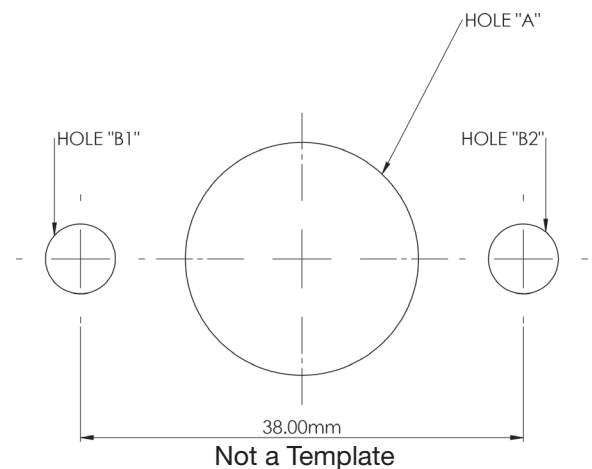
Note: For alternative door thicknesses, cut spindle to suit, if the male bolt length requires to be shortened, care should be taken when shortening so as not to damage the thread.

Preparation: When using this thumbturn and release, a bathroom lock/deadbolt with a 5mm deadbolt follower and bolt through fixing facility at 38mm centres, should be installed. If the bathroom lock or bolt has an 8mm deadbolt follower, a 5-8mm spindle adaptor must be used.

- In conjunction with bathroom lock/deadbolt backset and follower centre, use the above dimensions for drilling the door.
- From both sides of the door, mark out Hole A (deadbolt follower centre), then fixing Holes B1 and B2 at 38mm centres. Remove lock/deadbolt.
- Using an 8mm diameter bit, drill holes B1 and B2 from both sides of the door.
- Using a 20mm diameter bit, drill Hole A from both sides of the door. Refit lock/deadbolt.

Fitting:

- From the outside, pass the spindle attached to the release through the deadbolt follower, ensuring the hexagonal fixings on the inner rose are horizontal. Place the thumbturn onto the spindle from the other side, again ensuring the hexagonal fixing holes are horizontal & align with holes B1 & B2.
- Push the female fixing bolts into the hexagonal fixing points on one rose and pass the male fixing bolts through from opposite rose to meet the female bolts. Tighten bolts ensuring that the threads do not cross.
- Fully fix both roses with the 8 woodscrews supplied.
- Fit rose cover with large centre hole over thumbturn ensuring removal slot is to the underside.
- Fit rose cover with window over coin release if indicator version is required or fit other plain outer rose if non-indicator version is required. Ensure the removal slot is to the underside & discard unused rose cover.
- Check for correct operation



FITCB0194 | Revision A