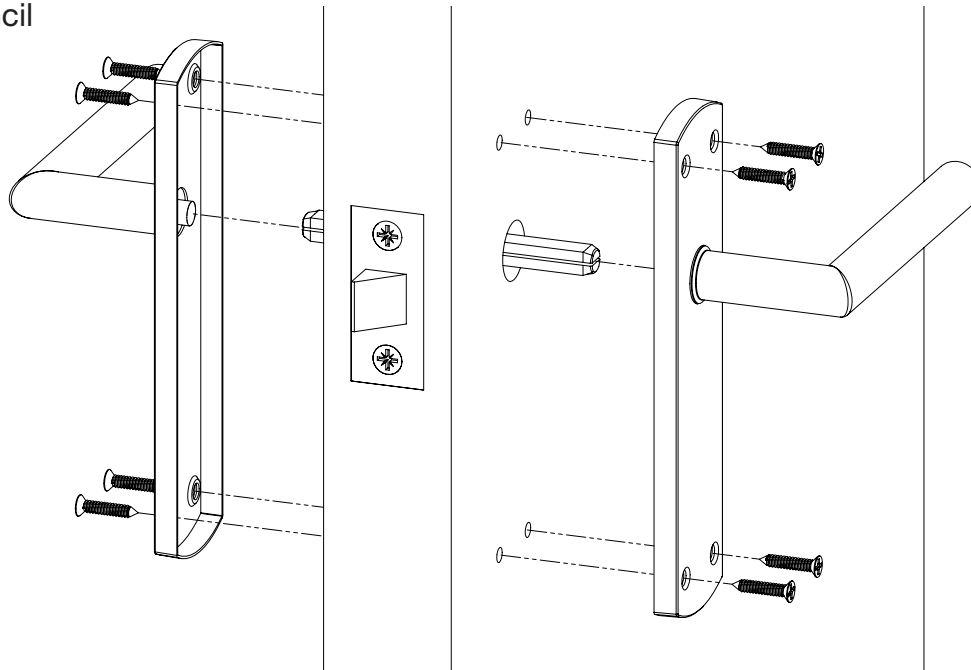


STEELWORX CSL DOOR HANDLE FITTING INSTRUCTIONS

We recommend consulting a professional if you are unfamiliar with installing hardware fixtures.

Tools required: Cross Head Screwdriver, Ruler/Measuring Tape, 20mm Drill Bit, 2mm Drill Bit, Bradawl/Pencil



1. Tubular latch or lock must be fitted as per manufacturer instructions. Ensure the door is morticed out with a 20mm bit to accommodate the spindle.
2. Insert the spindle into the lever and securely fix the grub screw, ensure enough spindle is free to pass through the door to be secured in the opposing lever.
3. Offer the lever up to the door so the spindle passes through the centre hole of the latch/lock and mark the fixing holes using the screw holes on the back plate as a guide.
4. Offer the second lever up to the opposite side of the door and use the marking method outlined in step 3.
5. Remove the levers from the door. Using a 2mm diameter bit, drill pilot holes to a depth of 5mm.
6. Offer the levers back to the door and insert the screws. Using a screwdriver evenly tighten the levers to the door using the predrilled pilot holes.
7. Once secured to the door, tighten the remaining grub screw and recheck all fixings are secure. If the levers do not operate freely, check alignment of all components.

MAINTENANCE

For care instructions and technical information, please visit our website.

FITCB0151 | Revision A