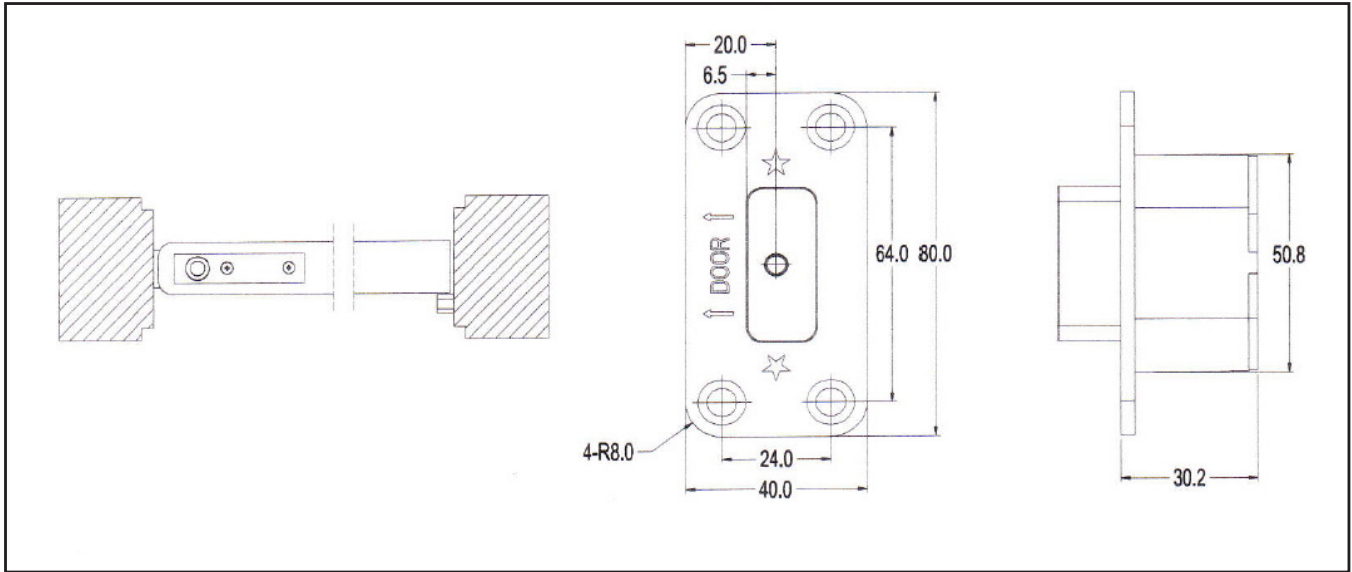


(Commonly used with Eurospec H2N1900 Pivot Set)

Fig 1



### Installation:

**Note:** The position of the door stop must allow the door to close in the correct position. (See Fig. 1)

1. At the desired height and correct position (6.5mm from the closing face of the door in the closed position), drill 2 x 25mm holes to a depth of 32mm. Chisel out excess wood to accept the door stop. (See Fig. 2)
2. Mark around edge of faceplate and cut into door frame for flush fitting.

**Note:** One side of the faceplate is marked to face the door.

3. Secure with the 4 stainless steel screws provided.

### Operation:

**Note:** The door stop will hold the door in the normal position allowing the door to open inward only.

1. To release the door in an emergency, depress the centre hole on the door stop with a pen or similar, and push the bolt into the door frame. This will allow the door to open outward. (See Fig. 3)
2. To re-set the door stop, ensure the door is open inward and depress the centre hole on the door stop. The door stop bolt will spring back to its normal position. (See Fig 4)

### Maintenance:

Periodically check the door stop operates correctly and the fixing screws are tight.

Fig 2

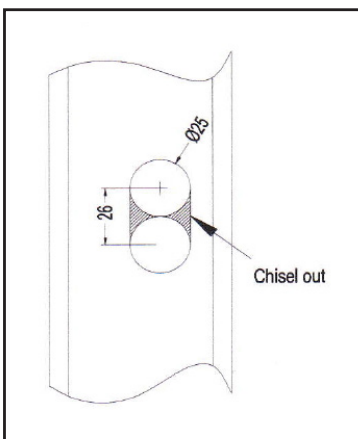


Fig 3

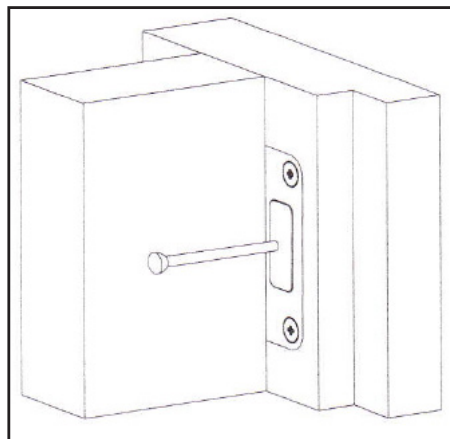


Fig 4

