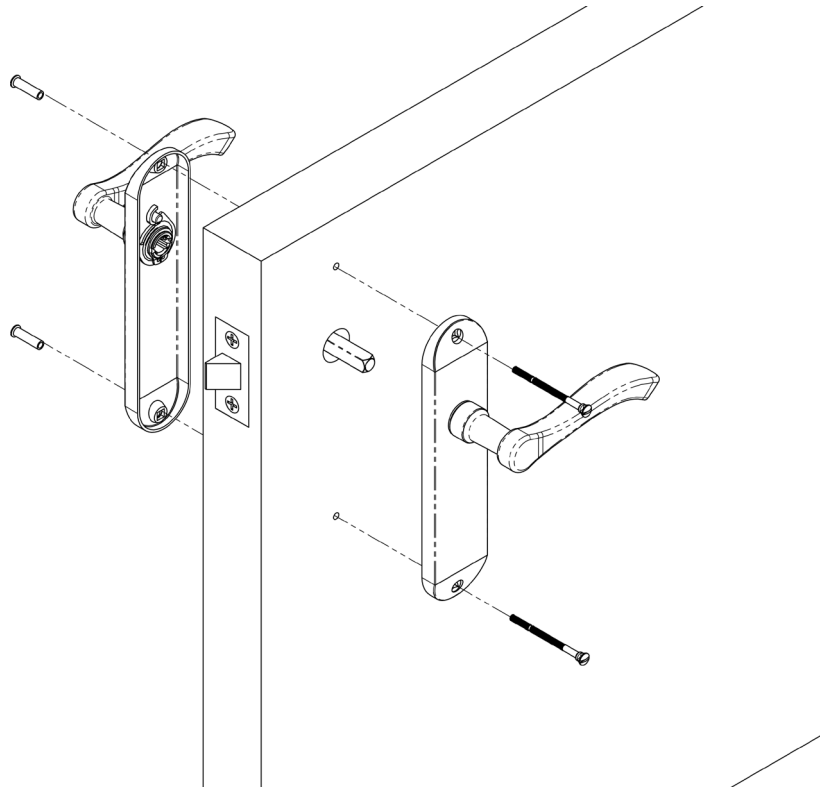




Incorrectly installing this product will negatively impact function and lifespan. If you are unsure please contact a professional. Drawings not to scale unless otherwise specified.



1. Measure the backset of the lock/latch and mark the centre using a bradawl/pencil.
2. Using a 20mm diameter bit, drill a hole at the marked location.
3. Insert the spindle into one of the levers, ensuring enough of the spindle is free to pass through the door and to be secured in the opposing lever.
4. Place the spindle through the door so the spindle passes through the latch/lock follower.
5. Mark the door through handle fixing holes with a bradawl/pencil.
6. Remove the lever and drill holes for the male and female bolt using a 5mm diameter drill bit.
7. Place the lever back onto the door and fasten with the male and female bolts.
8. Evenly hand tighten the bolts and recheck all the fixings are secure. If the levers do not operate freely, check alignment of all components.
9. For lock handles, ensure that the appropriate size hole is drilled in the correct location for the key/cylinder/ bathroom thumbturn.

FITCB0185| Revision A