

Euro Cylinder and Turn

Product Images

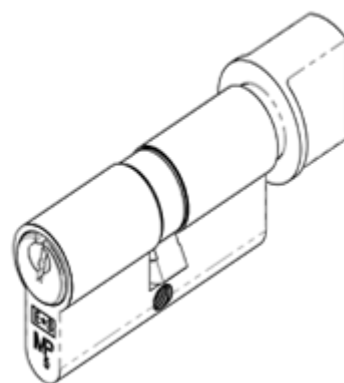
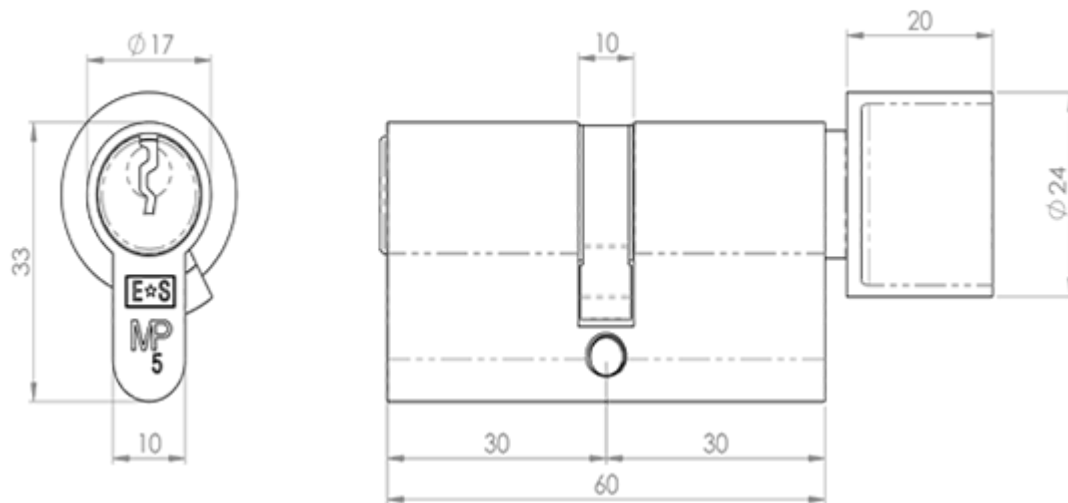




Description

Euro Cylinder and Turn. To lock the door on the inside, simply use the turn knob, there's no need for a key. These MP5 Architectural 5 pin cylinders provide a good degree of security. Certified to British/European standards (BS EN 1303) and Fire Door rated. Keyed alike or master keyed options available. Comes with a 5 year mechanical guarantee. Suitable for domestic and commercial use.

Technical Details



CYA71360

This drawing is the property of Carlisle Brass Limited, all design rights reserved

Specification



Additional Information

SKU	CYA71360
Brands	Eurospec
Technical	3,26
Line Drawings	CYA71360.PDF,CYA71370.PDF,CYA71380.PDF,CYA71390.PDF,CYA713100.PDF

Product Options

Finishes:	Satin Chrome
	Polished Chrome
	Polished Brass
Options:	Euro Cylinder
Sizes:	100mm
	70mm
	90mm
	80mm
	60mm