

Enduromax Grade 11 Lift Off (Full Leaf) Hinge

Product Images

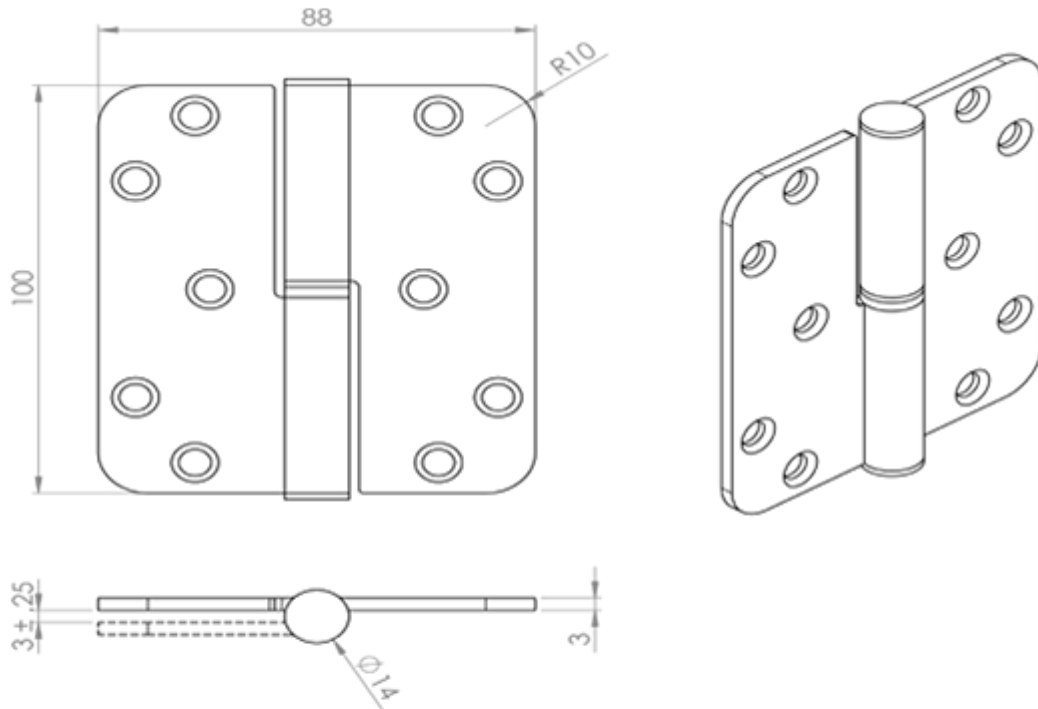


Description

Grade 11 Lift Off (Full Leaf) Hinge. Square or Radius options with Left and Right hand version. (Max Load 80kg). Lift-off hinges, allow a door to be

removed without unscrewing the leaves themselves. This improves access and allows large items to pass through freely and alleviates damage to the door itself. Which is why they are usually specified in heavy use commercial developments such as schools, hospitals, airports and many more applications. In a domestic environment they are useful to allow freedom of movement when moving furniture through the doorway or if redecorating in confined spaces. Certified to BS EN 1935. They have a CE mark and are Certifire tested. comes with a 25 year mechanical guarantee and is Fire door rated. Suitable for all domestic, commercial and industrial environments. For standard internal residential doors a pair of hinges is adequate; however fitting 3 hinges per door has its advantages. It will look aesthetically pleasing and from a practical viewpoint it helps spread the load evenly and will help to overcome twisting or warping. This can sometimes happen to doors over a period of time where heat and moisture are a factor.

Technical Details



H3N1101/11/R/LEF

This drawing is the property of Carlisle Brass Limited, all design rights reserved

Specification



Additional Information

SKU	H3N1101
Brands	Eurospec
Features	(Max Load 80kg)
Technical	36,4,19,26,21,22,44,45,57
Line Drawings	H3N1101-11-R-LEF.PDF,H3N1101-11-R-RIG.PDF

Product Options

Finishes:	Satin Zinc Plate
Options:	Left Hand
	Right Hand
Sizes:	100mm x 88mm x 3mm