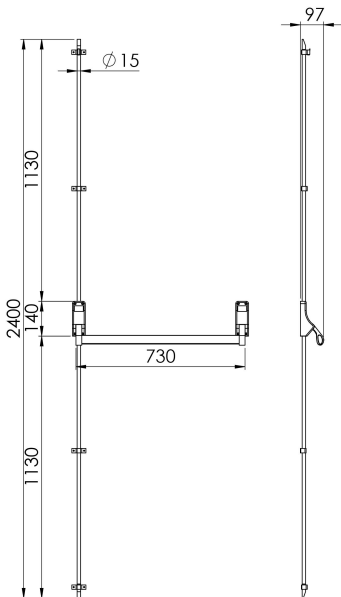
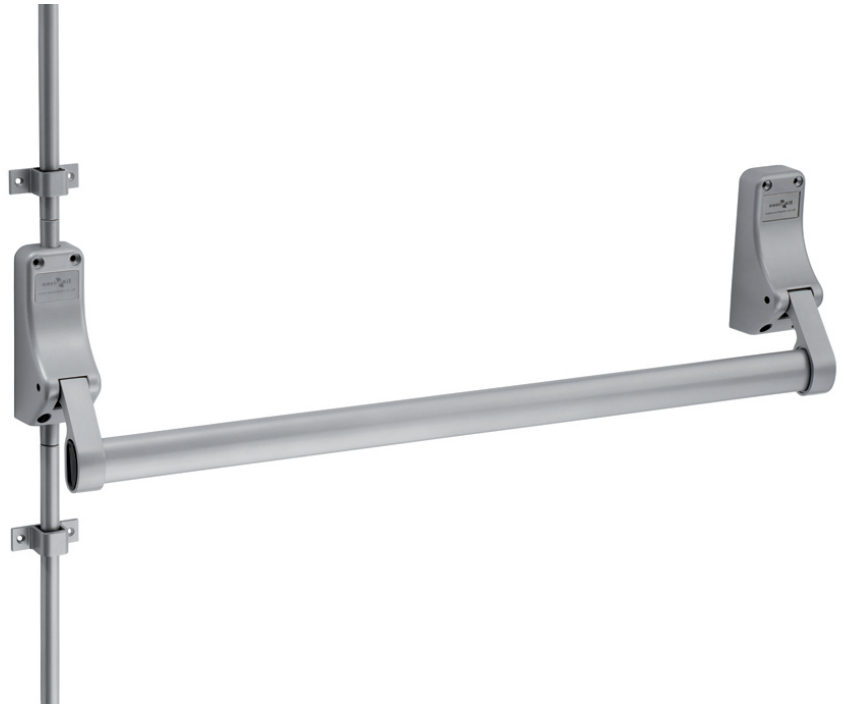


# Pushbar Panic Bolt

XDB5760SV



- BS EN 1125:2008 (3-7-6-B-1-4-2-2-A-A)
- CE Marked (2812-CPR-AAA010)
- UKCA Marked (1121-CPR-UK-AAA7781)
- Certifire Approved (CF719)
- Timber Door Fire (Without ELA) 20-120 Minutes
- Timber Door Fire (With ELA) 20-30 Minutes
- Steel Door fire (Without ELA) 120 Minutes



• With XSA5003 ELA 90 Minutes / With XIA5003 ELA 120 Minutes

**EUROSPEC** products by  
**CARLISLE BRASS**

+44 1228 511030

Carlisle Brass Ltd, Parkhouse Road, Carlisle, CA3 0JU

enquiries@carlislebrass.com

www.carlislebrass.com

