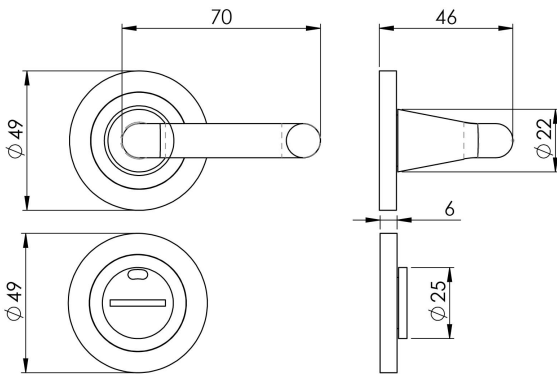


Steelworx 316 Turn and Release

SW105-ISSS



Disabled DDA compliant bathroom Turn and Release with a vacant/engaged indicator. Concealed fix screw on rose. Large return to door round bar handle makes this ideal for public / office toilet doors where a more ergonomic operation is a necessary requirement. Part of the Steelwork range in Grade 316 Stainless Steel and will match all of the Steelworx levers.

