

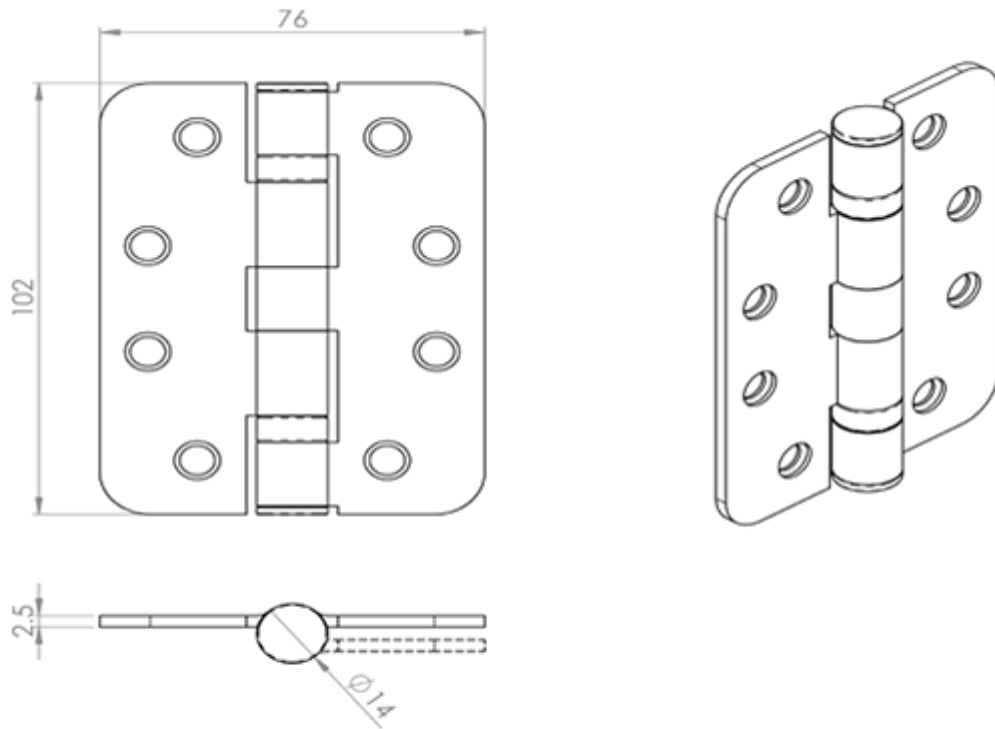
Enduro Grade 13 Ball Bearing Hinge Radius

Product Images



Description

Grade 13 Ball Bearing Hinge, Radius corners (Max Load 120kg). The most popular type of door hinge on the market today. These are a perfect choice for when you have doors of 40mm or 44mm firecheck, internal or external. They have a CE mark and are Certifire tested. Suitable for industrial, commercial and domestic use. Ball bearing hinges have always been very popular for their smooth operation, durability, long lasting design and ability to carry heavier loads than washered hinges. For standard internal residential doors a pair of hinges is adequate; however fitting 3 hinges per door has its advantages. It will look aesthetically pleasing and from a practical viewpoint it helps spread the load evenly and will help to overcome twisting or warping. This can sometimes happen to doors over a period of time where heat and moisture are a factor. Comes with a 25 year mechanical guarantee and are fire door rated.



 EUROSPEC

HIN14325/13/R

This drawing is the property of Carlisle Brass Limited, all design rights reserved

Specification



Secured by Design



Official Police Security Initiative

Additional Information

SKU	HIN14325/13SSS/R
Brands	Eurospec
Finishes	Satin Stainless Steel
Options	Radius
Sizes	102mm x 76mm x 2.5mm
Features	Packs of 3
Technical	5,26,36,21,19,22,40
Line Drawings	HIN14325-13-R.PDF
Unit of Sale	Pack of 3