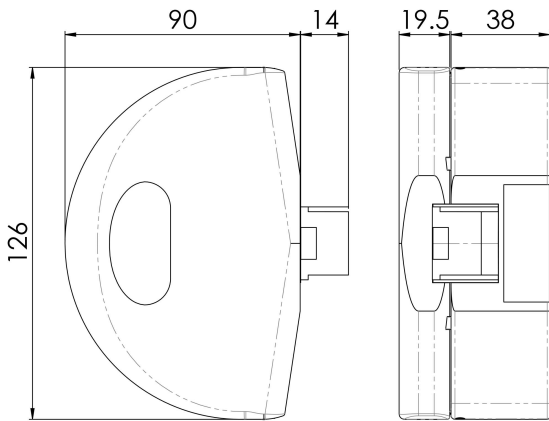
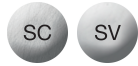


## Push Pad Latch

XIA5002



Push Pad Latch for use with panic exit devices. Fire door rated and comes with a 10 year mechanical guarantee. Certified to BS EN 179. CE mark and Certifire tested.

