

Steelworx Handrail Brackets

Product Images

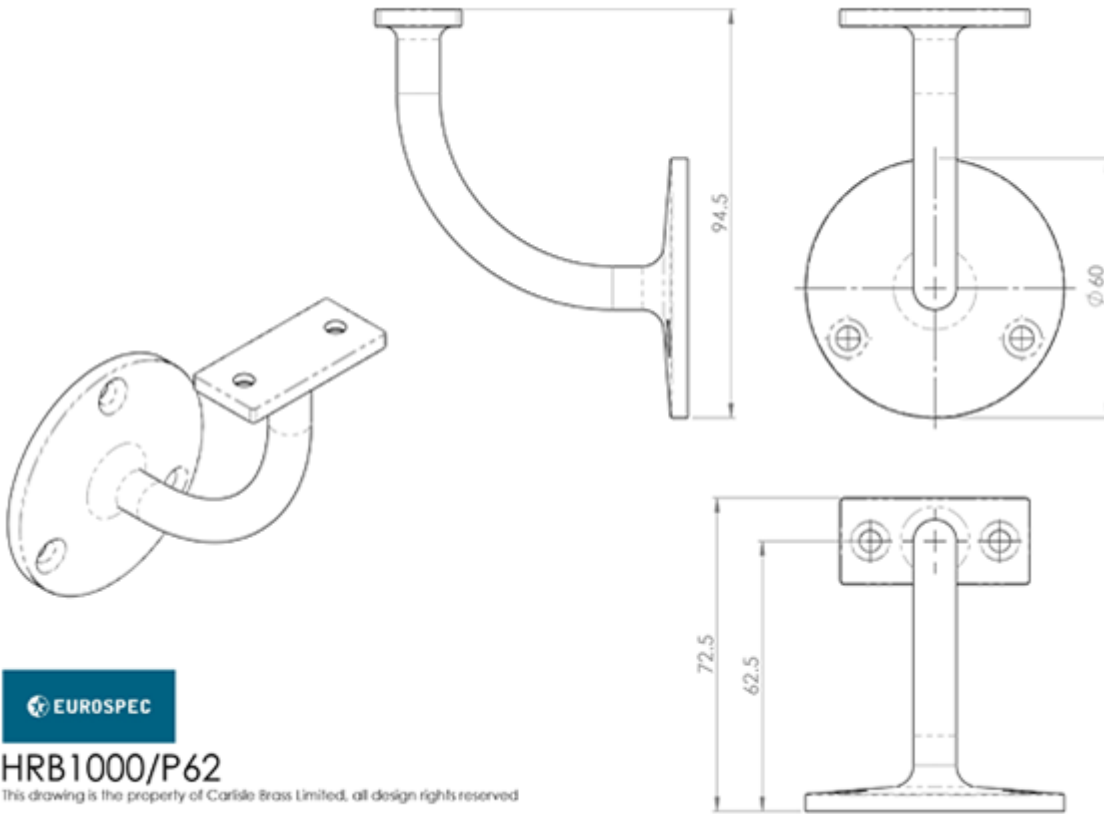




Description

Handrail Bracket, DDA Compliant, meets BS 8300 requirements for disabled people. Part of the Steelworx Stainless steel range. Suitable for domestic and commercial use. Available in different projections.

Technical Details



HRB1000/P62

This drawing is the property of Carlisle Brass Limited. all design rights reserved

Specification



Additional Information

SKU	HRB1000
Brands	Eurospec
Technical	4,26,12
Line Drawings	HRB1000P62.pdf,HRB1000P85.PDF

Product Options

Finishes:	Bright Stainless Steel
-----------	------------------------

	Satin Stainless Steel
--	-----------------------

Sizes:	62mm Projection
--------	-----------------

	85mm Projection
--	-----------------