

Easi-T Flat Latch

Product Images

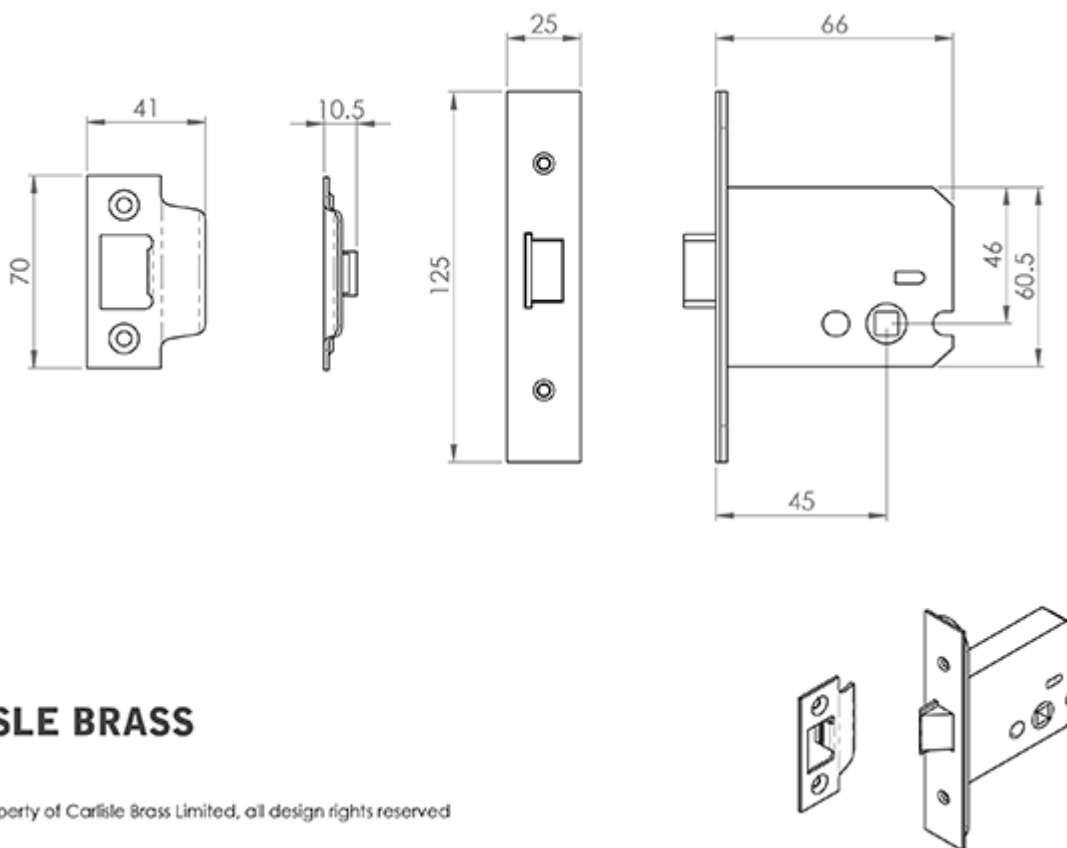


Description

Flat Latch 102mm. The Latchbolt has the Easi-T reverse function to save undoing the case so it can be reversed in seconds. British Standard BS EN 12209

Rated. Used as a matter of course by the national house builders. This latch carries a 10 year mechanical guarantee. It has been CE and Certifire tested. Suitable for use in all domestic, industrial and commercial environments. Available in different sizes and finishes.

Technical Details



CARLISLE BRASS
FLL5025

This drawing is the property of Carlisle Brass Limited, all design rights reserved

Specification



Additional Information

SKU	FLL5040
Brands	Eurospec
Technical	4,20,26,21,22
Line Drawings	FLL5040.JPG,FLL5025.PDF

Finishes:	Satin Stainless Steel
Sizes:	64mm
	103.5mm
	76mm