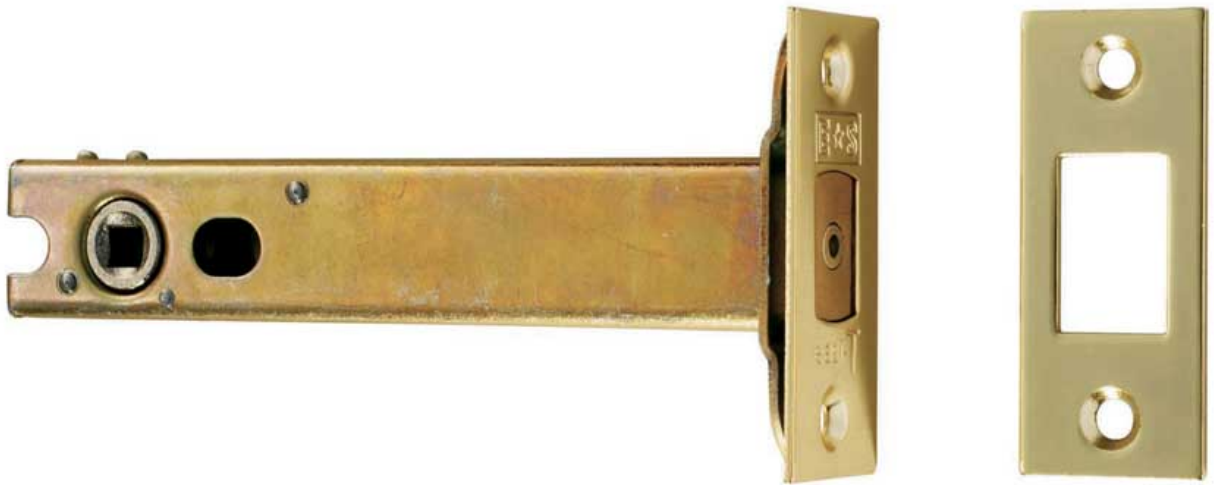


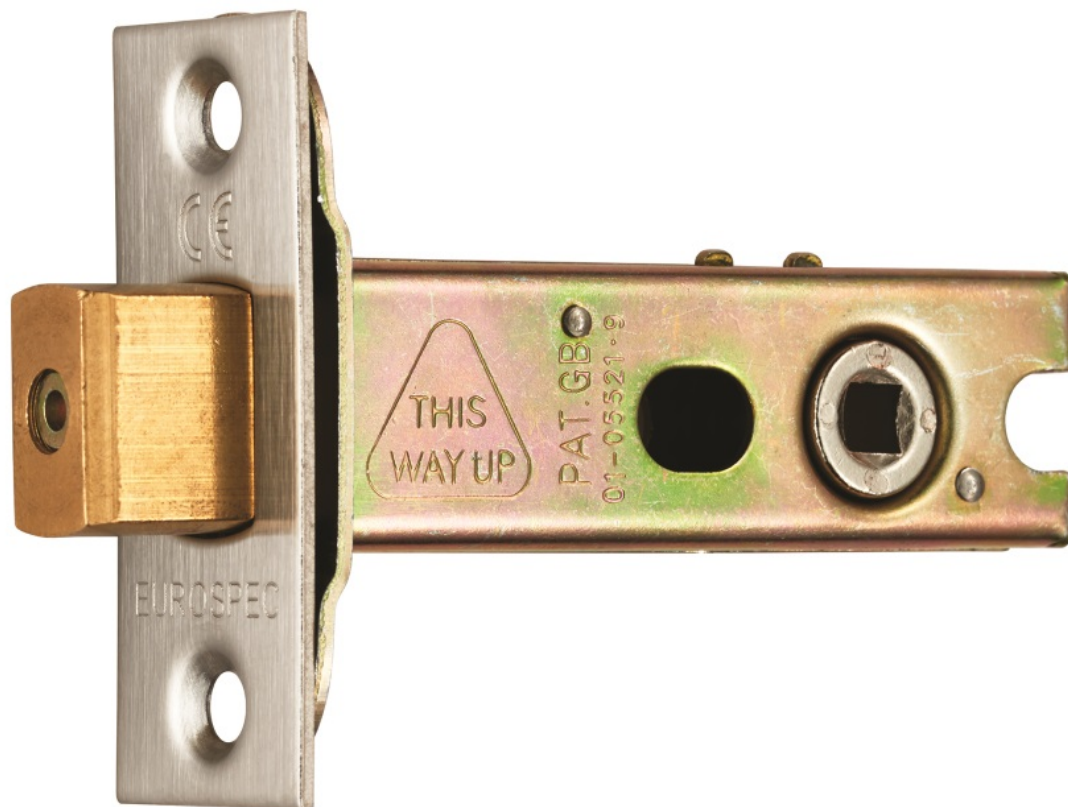


## Easi-T Tubular Dead Bolt

### Product Images

---





## Description

---

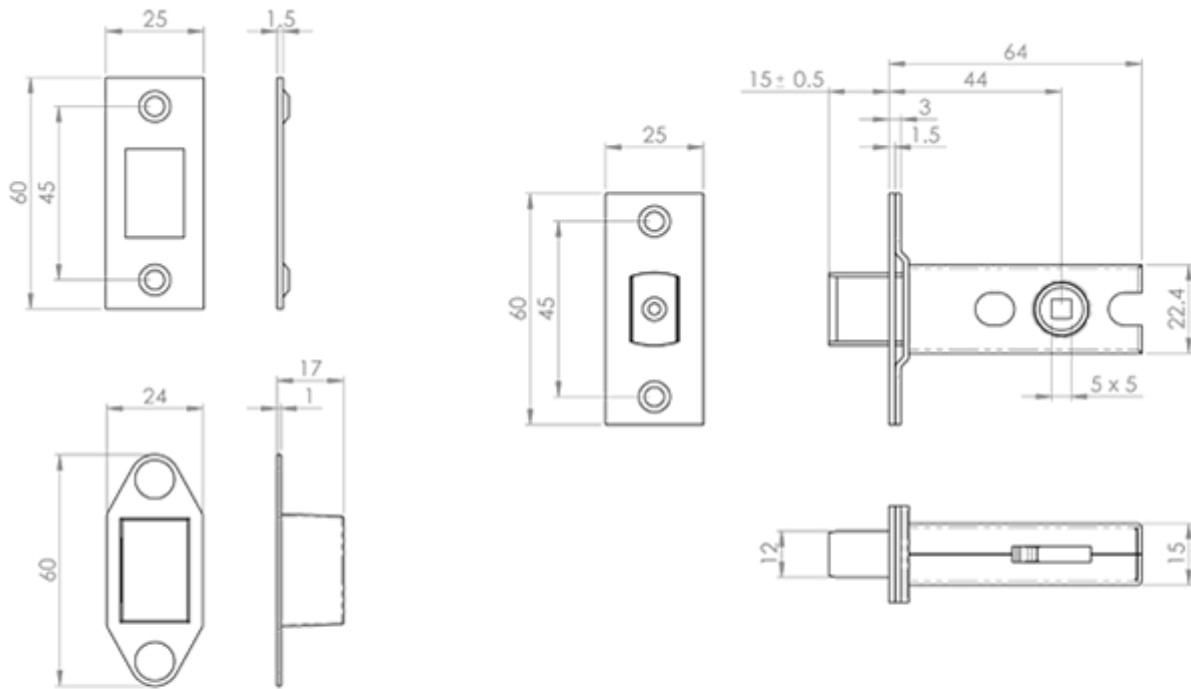
Tubular Dead Bolt. with either 5mm or 8mm follower option. Commonly used as a bathroom deadbolt using a separate turn and release. Certified to BS EN 12209. Used as a matter of course by the national house builders. This latch carries a 10 year mechanical guarantee. It has been CE and Certifire tested. Suitable for use in all domestic, industrial and commercial environments.

[DOP Certificate](#)

[DOC Certificate](#)

## Technical Details

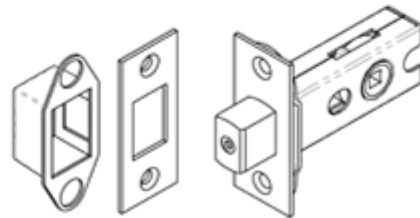
---



**EUROSPEC**

**TLD5025**

This drawing is the property of Carlsle Brass Limited, all design rights reserved



## Specification



*certifire*

## Additional Information

Short Description	Tubular Dead Bolt
SKU	TLD5025 Range
Certifire	CF611
Standard	EN12209
CE Marked	Yes
Brands	Eurospec
Technical	4,20,26,21,22
Line Drawings	TLD5025.PDF,TLD5030..PDF,TLD5040.PDF,TLD5050..PDF,TLD5830..PDF,TLD5840.PDF,TLD5850..PDF

---

Finishes:	Electro Brassed/Satin Stainless Steel
	Satin Stainless Steel
	Bright Stainless Steel
Sizes:	76mm with 5mm Follower
	129mm with 8mm Follower
	104mm with 8mm Follower
	76mm with 8mm Follower
	64mm with 5mm follower
	129mm with 5mm Follower
	104mm with 5mm Follower

