

Traditional Rim Latch

Product Images

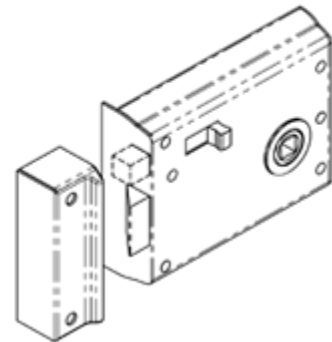
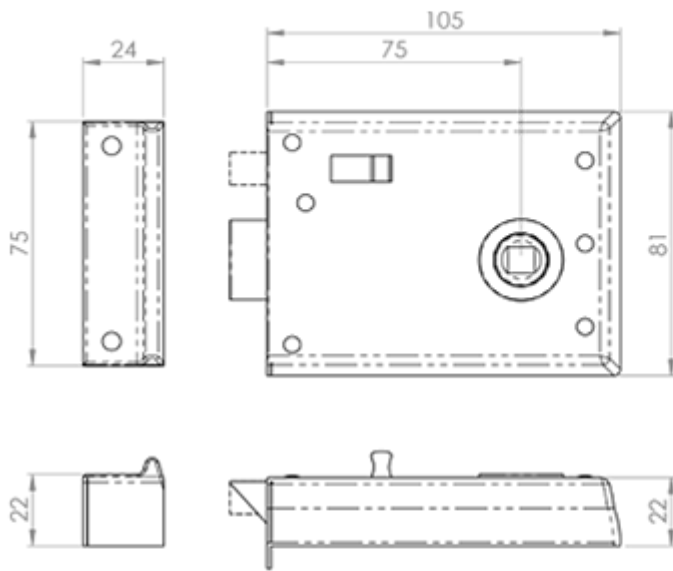


Description

Contract Rim Latch. Traditional style of latch generally for use on internal doors, gates, shed doors. Certified to BS EN 12209. This lock carries a 5 year mechanical guarantee. It has been CE and Certifire tested. Suitable for use in all domestic, industrial and commercial environments.

[Click here for care instructions](#)

Technical Details



RLE8043

This drawing is the property of Carlisle Brass Limited, all design rights reserved

Specification



Additional Information

Short Description	Rim Latch
SKU	RLE8043PC
Brands	Eurospec
Finishes	Polished Chrome
Options	Latch
Sizes	102mm x 76mm
Technical	3,20,26,21,22
Line Drawings	RLE8043.JPG
Unit of Sale	Each