

Steelworx Stainless Steel Disabled Thumbturn & Release

Product Images

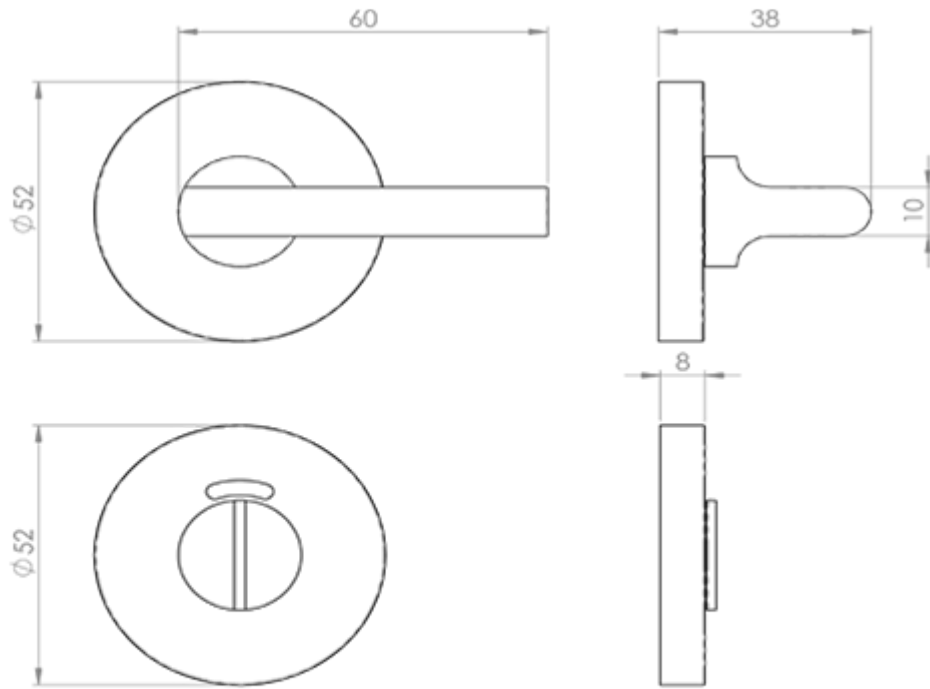


Description

Thumbturn and Release on a concealed fix press on rose. The turn side has a long straight tubular bar, and the release side has a vacant/engaged

indicator. Key Release option available (CST1025K), BS8300 rated to meet the needs the needs of Disabled people. Ideal for public/office toilet doors where a more ergonomic operation is a necessary requirement. Part of the Steelworx range in G304 Stainless Steel. Comes with a 10 year mechanical guarantee and is Fire door rated. Suitable for all domestic, commercial and industrial use.

Technical Details



CST1025

This drawing is the property of Carlisle Brass Limited, all design rights reserved

Specification



Additional Information

SKU	CST1025
Brands	Eurospec
Features	5mm allen key release
Technical	4,26,12
Line Drawings	CST1025.PDF

Product Options

Finishes:	Bright Stainless Steel
	Satin Stainless Steel
Sizes:	52mm x 8mm Rose