



19mm Safety Lever - DDA compliant

Product Images

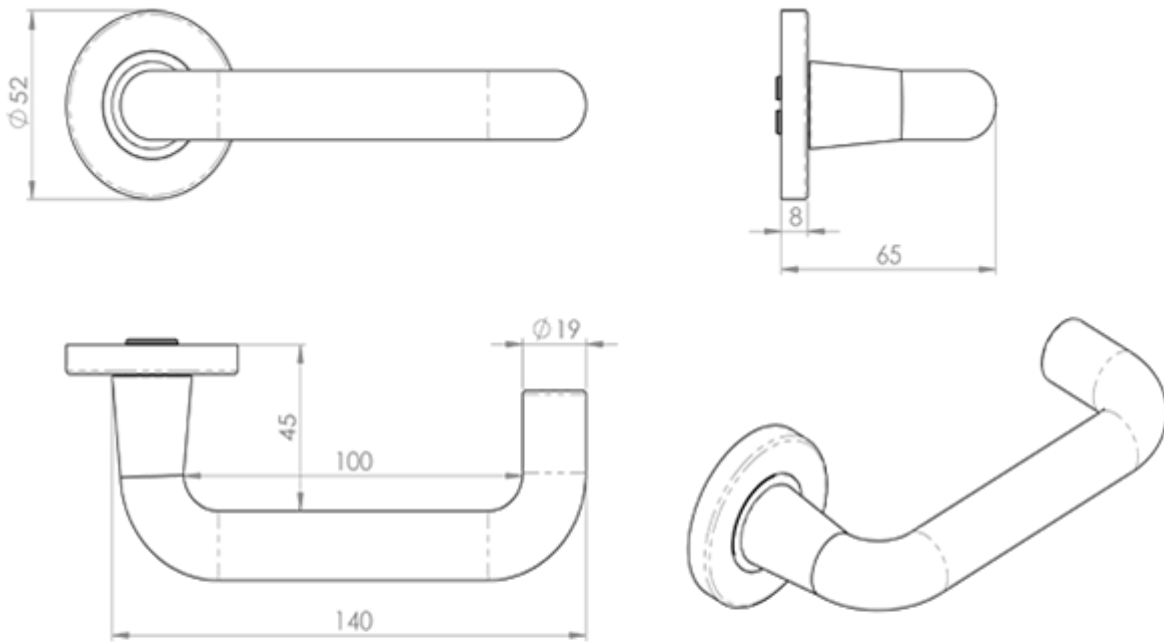


Description

A sturdy 19m Dia. round bar safety lever on a concealed fix press on round sprung rose. The handle returns back to the door offering reduced risk of

catching clothes or injury. DDA Compliant. Certified to British Standards BS EN 1906 and BS8300 designed to meet the needs of disabled people. Comes with a 10 year mechanical guarantee and is fire door rated. Suitable for domestic and commercial use.

Technical Details



 EUROSPEC

LRS9001

This drawing is the property of Carlisle Brass Limited. all design rights reserved

Additional Information

Short Description	Safety Lever on Sprung Rose
SKU	LRS9001SAA
Brands	Eurospec
Finishes	Satin Anodised Aluminium
Sizes	52mm x 8mm Rose, 19mm Dia. Lever
Features	DDA BS8300 compliant
Line Drawings	LRS9001.PDF
Unit of Sale	Pair

