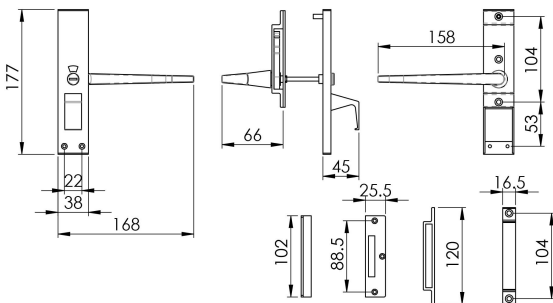
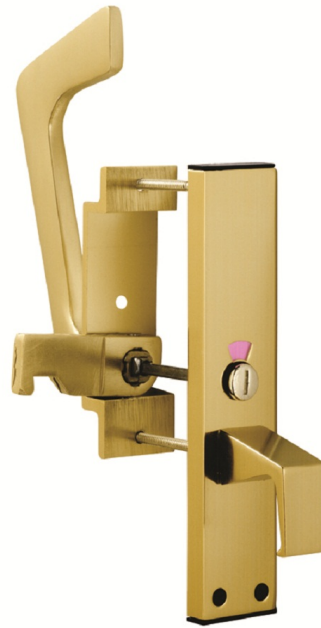


Disabled Toilet Handle Set

EST9625



DDA Compliant Disabled Toilet Handle Set (Dual Handed). A versatile handle assembly, suitable for hinged/swing or sliding doors offering easy access with a simple lever operation. It also has a reversible function allowing the user to choose for a left or right hand opening, complete with a coin release on the outside which can be operated in case of emergencies and a coloured indicator denoting vacant or engaged. Comes with a 10 year mechanical guarantee.

