



Washed Hinge

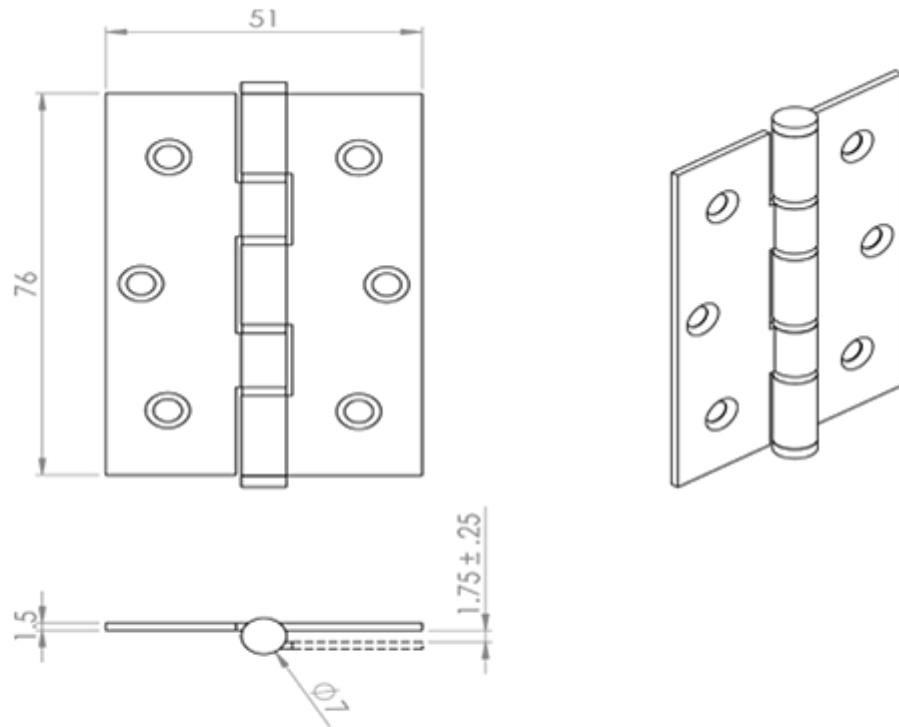
Product Images



Description

A plain standard washed hinge for lightweight residential doors. Comes with a 10 year mechanical guarantee. Suitable for domestic use.

Technical Details



 EUROSPEC

HIW13215

This drawing is the property of Carlisle Brass Limited, all design rights reserved

Additional Information

| | |
|-------------------|--------------|
| Short Description | Washed Hinge |
| SKU | HIW13215 |
| Brands | Eurospec |
| Line Drawings | HIW13215.PDF |

Product Options

| | |
|-----------|------------------------|
| Finishes: | Bright Stainless Steel |
| | Satin Stainless Steel |
| Sizes: | 76mm x 51mm x 1.5mm |

