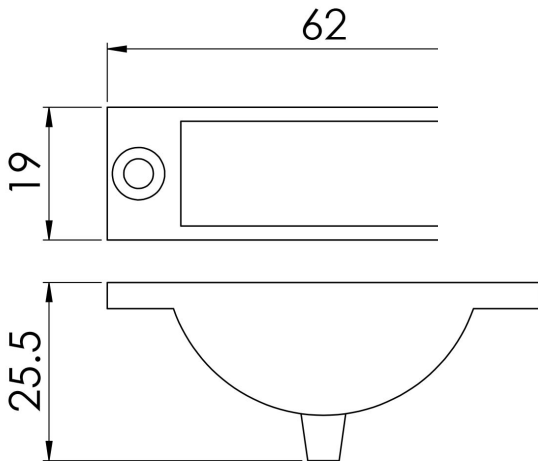


Flush Bolt Socket

AA813 Range



The socket can be placed in the floor to allow the door to be secured in a closed or open position when used in conjunction with flush or surface door bolts. The internal curvature enables easy cleaning and allows the door bolt to easily engage into the socket.

