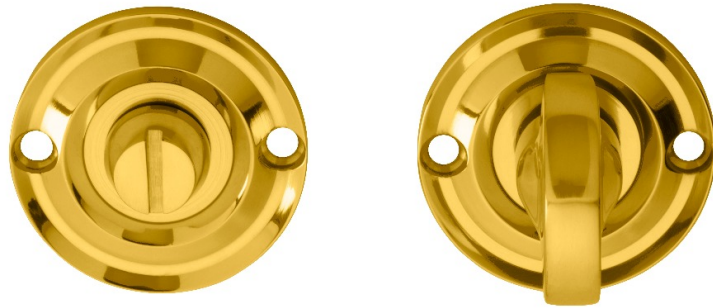


Delamain Small Turn and Release

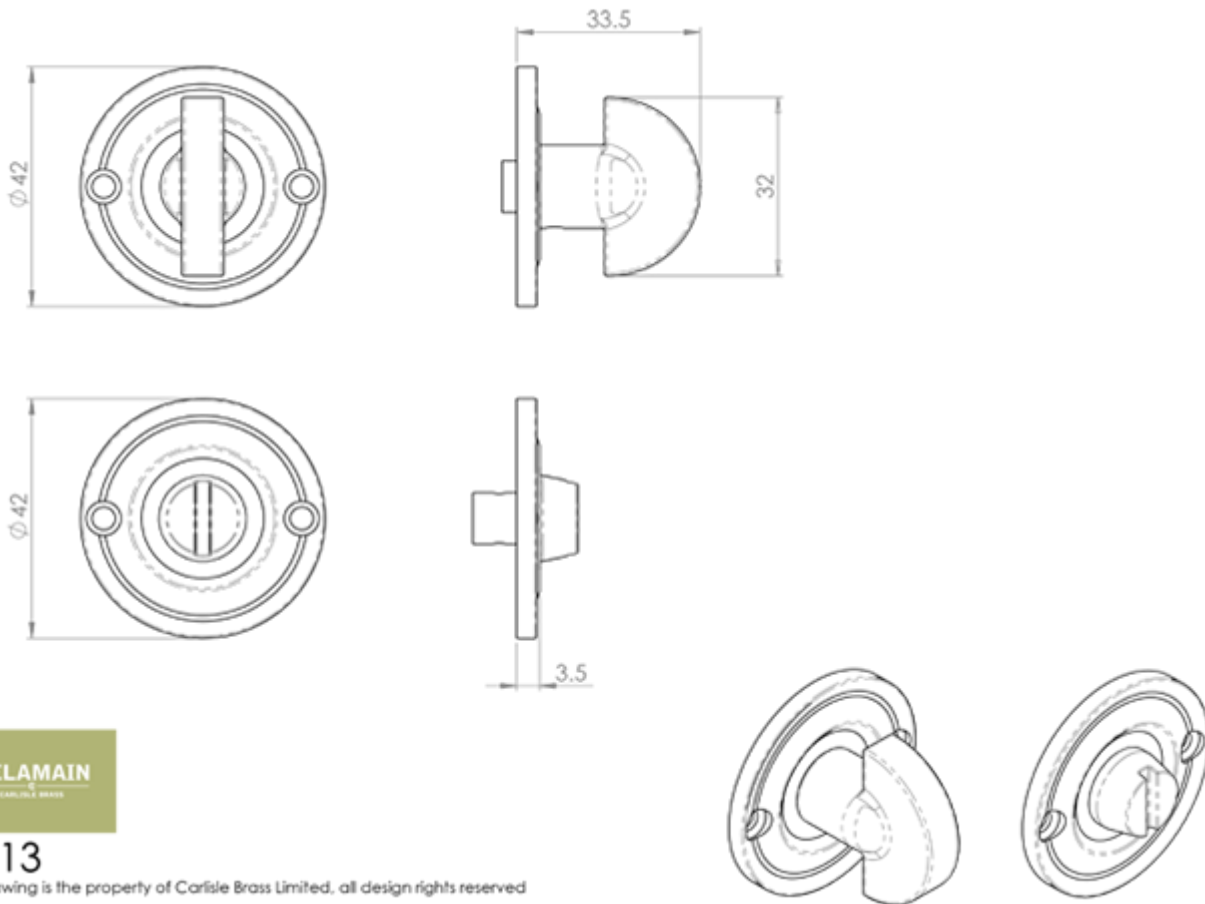
Product Images



Description

Bathroom turn and release set to compliment the Delamain door knob range. Its 42mm diameter means you can use these with the Delamain Knobs knowing that if used with a standard bathroom lock, they will fit. (the larger DK12 will not fit - use of a separate deadbolt is required) .Comes with a 10 year mechanical guarantee.

Technical Details



DK13

This drawing is the property of Carlisle Brass Limited, all design rights reserved

Specification



Additional Information

SKU	DK13
Brands	Delamain
Finishes	Polished Brass
Sizes	42mm Dia.
Technical	4
Line Drawings	DK13.PDF