

Espagnolette Bolt Tee Knob Set

Product Images

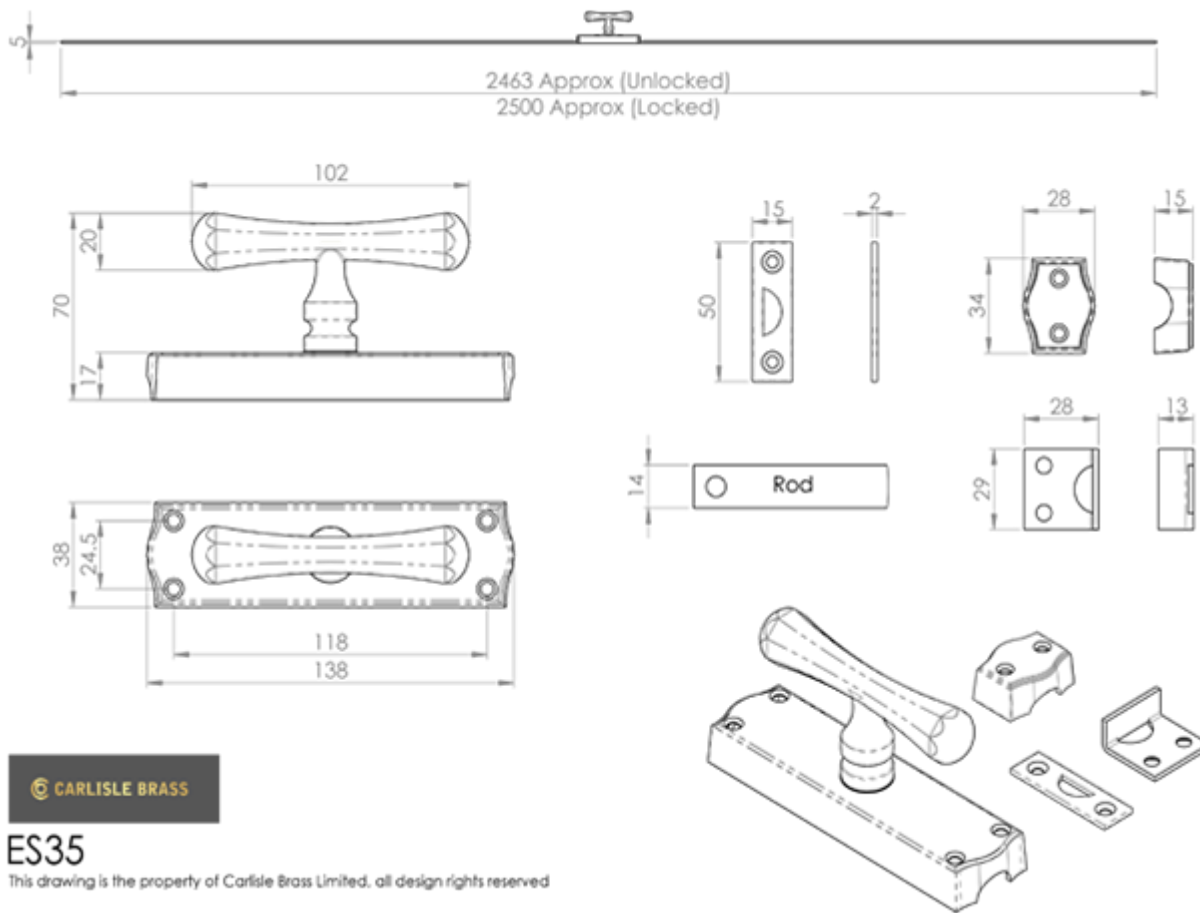


Description

T-Bar style handle espagnolette bolt used for securing a door top and bottom by simply turning the handle. They are used on French doors and have a

strong visual presence being surface mounted and provide additional security. To suit inward and outward opening doors, comes with 2 x 1.2m Rods and Mortice Keepers to suit a variety of applications. Comes with a 10 year mechanical guarantee. Suitable for domestic use. Available in different finishes.

Technical Details



Specification



Additional Information

SKU	ES35 Range
Brands	Carlisle Brass
Technical	4
Line Drawings	ES35.pdf
Fitting	ES35 Fitting.pdf

Product Options

Finishes:

Polished Chrome

Satin Chrome

Polished Brass