

Sleeve Letter Plate

Product Images

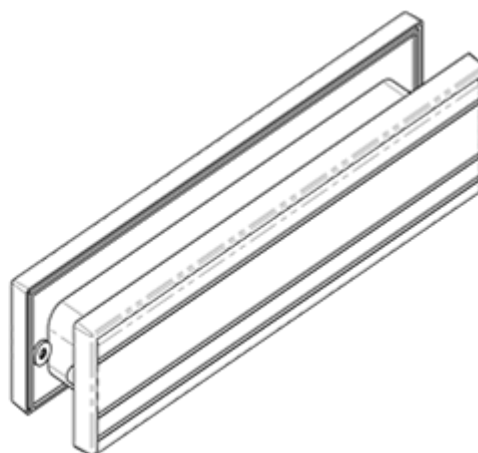
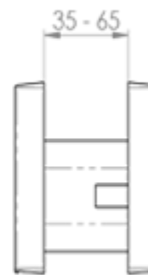
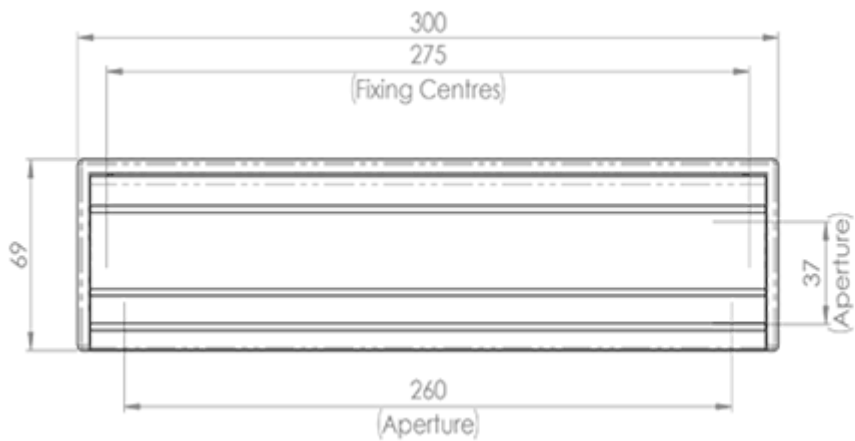




Description

An all-in-one letter plate solution for your front door. This letterbox assembly has an identical appearance from inside or outside the door. Supplied in two parts, an aperture is created in the door and the two parts locate together forming a tunnel effect. These types of letterboxes are very popular on upvc front doors, as well as timber. Extending inner sleeves allows fitment to a variety of door thickness. To suit doors 35mm - 65mm thick. This has a matching flap on the inside hence no need for an additional letter tidy. Comes with a 10 year mechanical guarantee. Available in different finishes.

Technical Details



CARLISLE BRASS

SL1, SL2, SL3

This drawing is the property of Carlisle Brass Limited, all design rights reserved

Specification



Additional Information

SKU	SL1 Range
Brands	Carlisle Brass
Technical	4
Line Drawings	SL1-SL2-SL3.pdf

Product Options

Finishes:	Satin Anodised Aluminium
	Gold Anodised Aluminium
Sizes:	300mm x 69mm