

Plain Letter Plate

Product Images

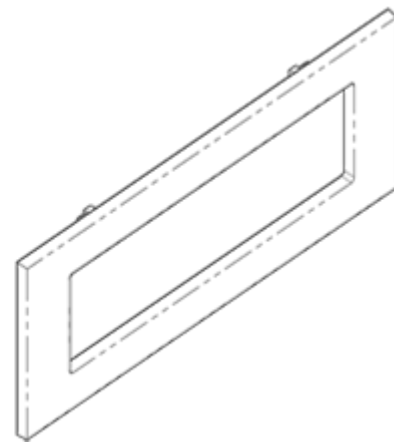
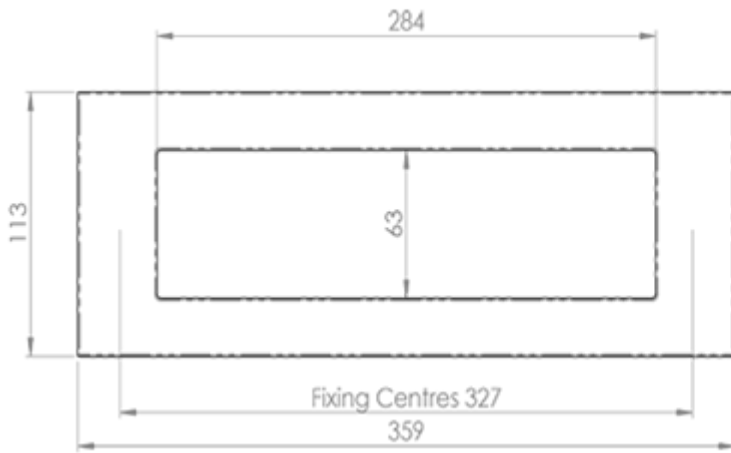


Description

The UK's most popular style of letter plate - an industry standard. The sprung inward opening flap automatically closes once the package has passed

through the aperture. The well defined edges and plain design makes for easy cleaning. Comes with a 10 year mechanical guarantee. Available in vast array of sizes and finishes. The wide range of options offers an extensive and unparalleled degree of choice..

Technical Details



 CARLISLE BRASS

M36E

This drawing is the property of Carlisle Brass Limited, all design rights reserved

Specification



Additional Information

SKU	M36E
Brands	Carlisle Brass
Finishes	Polished Brass
Sizes	359mm x 113mm Outer Frame, 284mm x 63mm Aperture, 327mm Fixing Centres
Technical	4
Line Drawings	M36E.PDF