

Plain Letter Plate

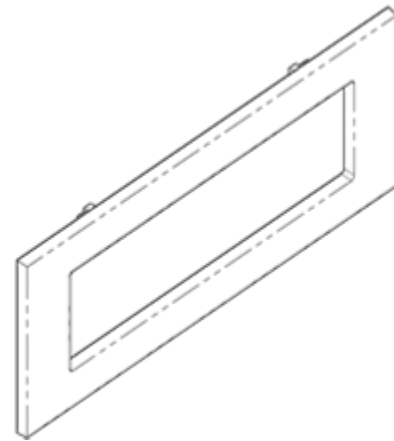
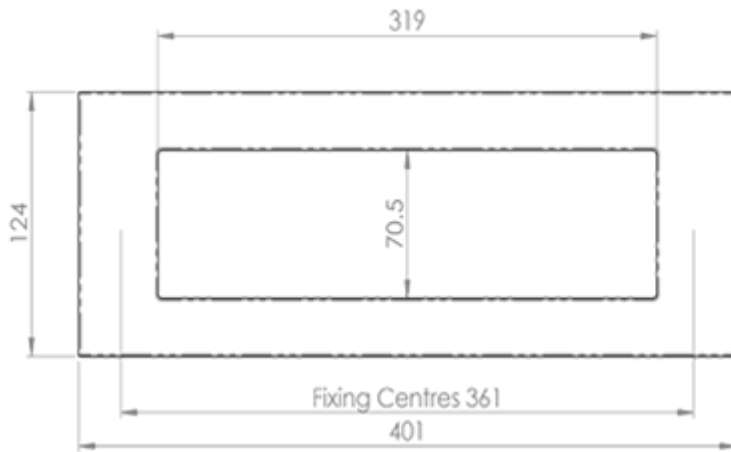
Product Images



Description

The UK's most popular style of letter plate - an industry standard. The sprung inward opening flap automatically closes once the package has passed through the aperture. The well defined edges and plain design makes for easy cleaning. Comes with a 10 year mechanical guarantee. Available in vast array of sizes and finishes. The wide range of options offers an extensive and unparalleled degree of choice..

Technical Details



CARLISLE BRASS

M36F

This drawing is the property of Carlisle Brass Limited, all design rights reserved

Specification



Additional Information

SKU	M36FSC
Brands	Carlisle Brass
Finishes	Satin Chrome
Sizes	401mm x 124mm Outer Frame, 319mm x 70.5mm Aperture, 361mm Fixing Centres
Technical	4
Line Drawings	M36F.PDF
Unit of Sale	Each