

Shaped Bell Push

Product Images





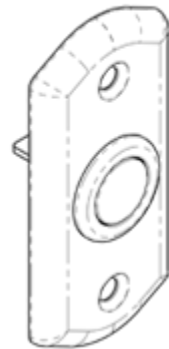
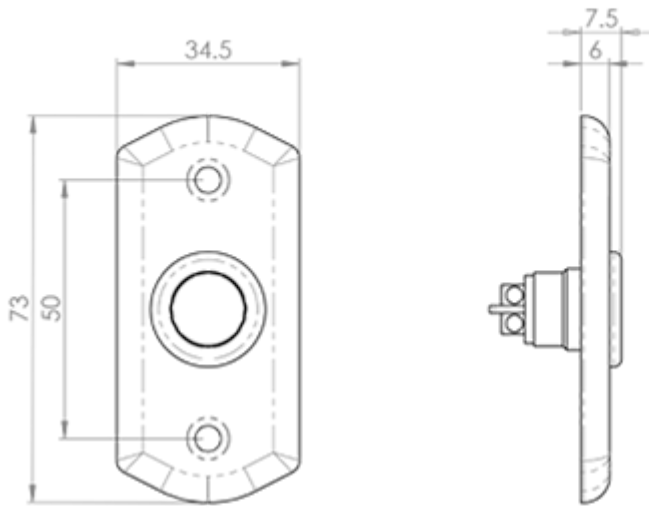




Description

A classical door bell push with its elegant curved shape and with its unobtrusive low profile button push it will compliment most front doors. Comes with a 10 year mechanical guarantee. Available in different finishes.

Technical Details



 CARLISLE BRASS

AQ31

This drawing is the property of Carlisle Brass Limited, all design rights reserved

Specification



Additional Information

SKU	AQ31 Range
Brands	Carlisle Brass
Technical	4,5,49
Line Drawings	AQ31.pdf
3D Animation	AQ31PVD/AQ31PVD.html

Product Options

Finishes:	Polished Chrome
	Satin Chrome
	Stainless Brass
	Polished Brass
	Florentine Bronze
Options:	Blister Pack
	Boxed