



Heavy Door Chain

Product Images



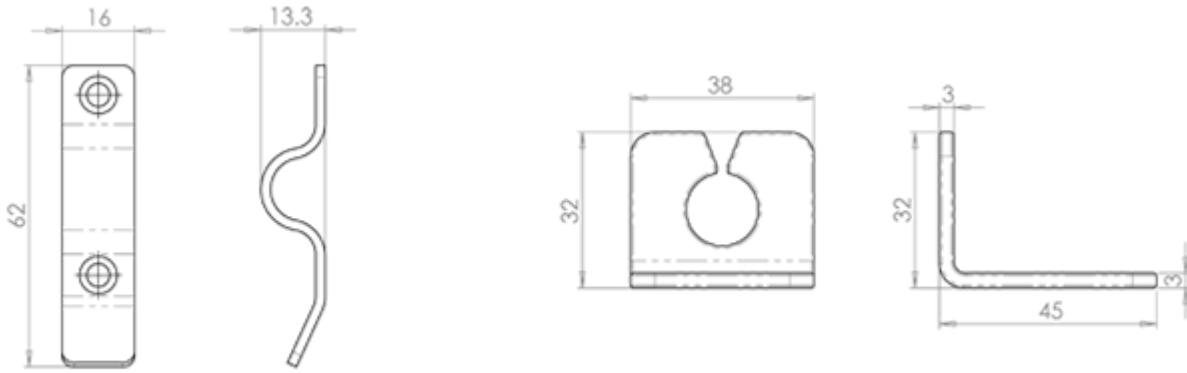




Description

The conventional first step for retro additional door security is either a door chain or door bolt. This sturdy chain is the perfect solution giving reassurance and peace of mind. (Breaking strain 180 newton's). Comes with a 10 year mechanical guarantee.

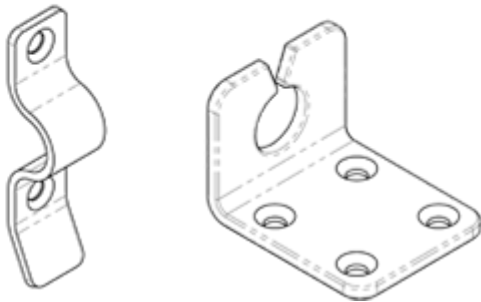
Technical Details



CARLISLE BRASS

AA75

This drawing is the property of Carlisle Brass Limited, all design rights reserved



Specification



Additional Information

Short Description	Heavy Door Chain
SKU	AA75 Range
Brands	Carlisle Brass
Technical	4,49
Line Drawings	AA75.PDF

Product Options

Finishes:	Polished Chrome
	Polished Brass
	Satin Chrome
Options:	Blister Pack
	Boxed

