



Madrid Lever on Lock Backplate

Product Images

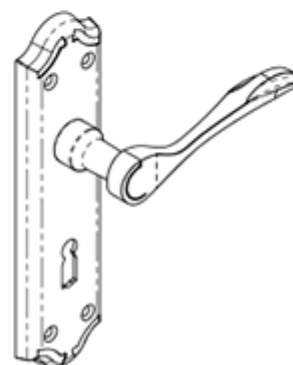
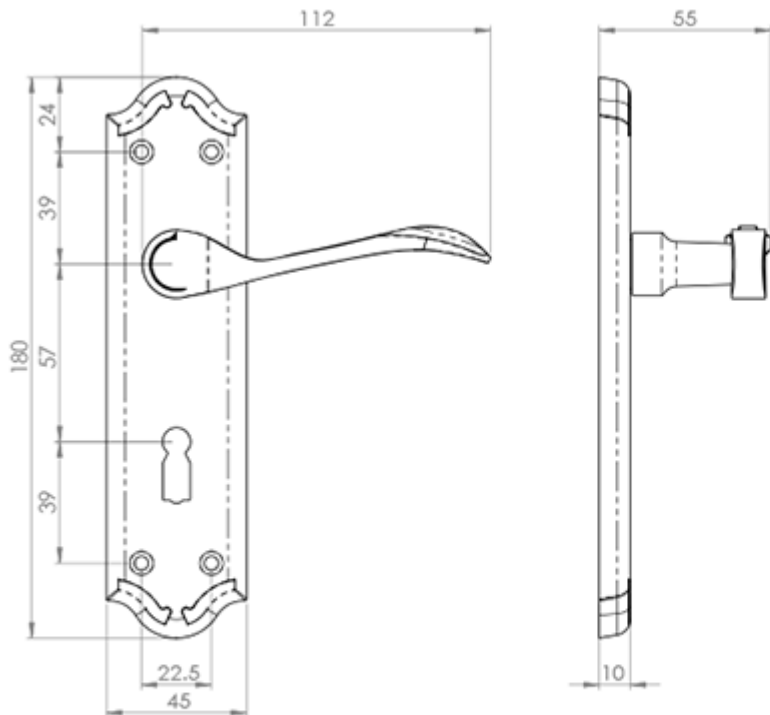


Description

Lever on lock backplate. Classically styled curved lever on a shaped backplate, with detailing to both lever and backplate. Suitable for a more traditional

doors. Comes with a 10 year mechanical guarantee and is Fire door rated.

Technical Details



© CARLISLE BRASS
DL190

This drawing is the property of Carlisle Brass Limited, all design rights reserved

Specification



Additional Information

SKU	DL190FB
Barcode	5050245112971
Brands	Carlisle Brass
Finishes	Florentine Bronze
Options	Lock Profile
Sizes	180mm x 45mm Backplate
Technical	4,25,49
Line Drawings	DL190.PDF
Unit of Sale	Pair

