

Madrid Lever on Latch Backplate

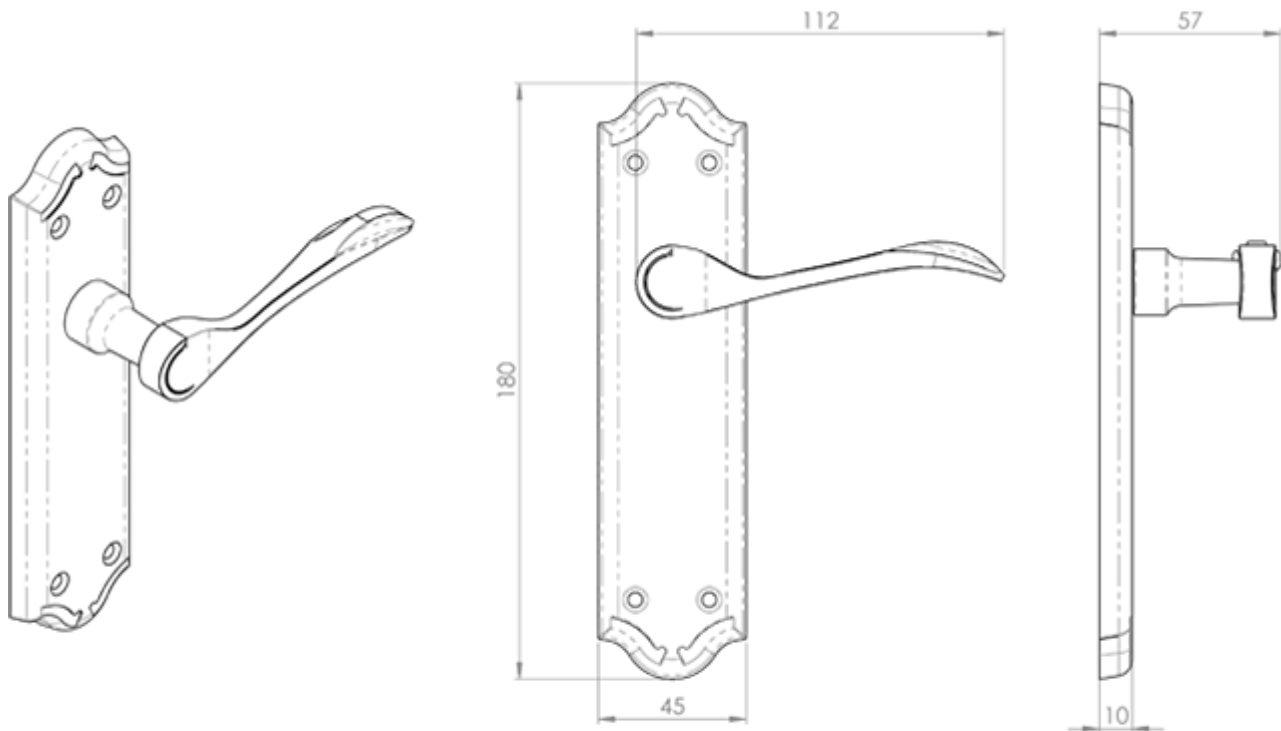
Product Images



Description

Lever on latch backplate. Classically styled curved lever on a shaped backplate with detailing to both lever and backplate. Suitable for a more traditional doors. Comes with a 10 year mechanical guarantee and is Fire door rated.

Technical Details



CARLISLE BRASS

DL191

This drawing is the property of Carlisle Brass Limited, all design rights reserved

Specification



Additional Information

SKU	DL191
Brands	Carlisle Brass
Finishes	Polished Brass
Options	Latch
Sizes	180mm x 45mm Backplate
Technical	4,25,49
Line Drawings	DL191.PDF