



Oakley Lever on Lock Backplate

Product Images



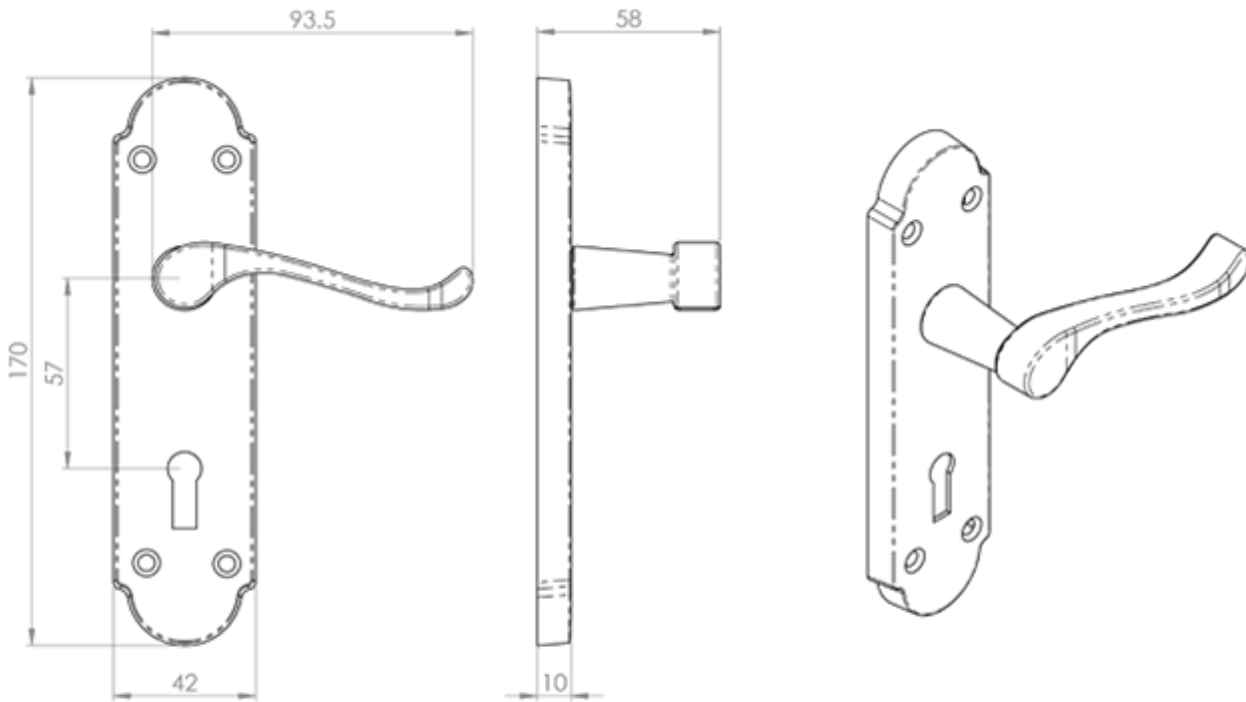
Description

Lever on lock backplate. A conventional Victorian style upturned handle on a shaped backplate, elegant and versatile. The back plate has an shouldered

shape that gives a classical appearance, while the lever features a scroll style that is very easy to grip. As long as the recommended cleaning process is followed, the stainless brass PVD long-life finish offers a 25 year finish guarantee, which renders the surface impervious to damage in normal use including oxidation and abrasion. So your product will stay as good as new, even in coastal areas. Comes with a 10 year mechanical guarantee and is Fire door rated.

[Click here for care instructions](#)

Technical Details



© CARLISLE BRASS

DL168

This drawing is the property of Carlisle Brass Limited, all design rights reserved

Specification



Additional Information

Short Description	Oakley Lever on Lock Backplate
SKU	DL168PVD
Barcode	5050245112452
Brands	Carlisle Brass
Finishes	Stainless Brass
Options	Lock Profile
Sizes	170mm x 42mm Backplate
Technical	5,25
Line Drawings	DL168.PDF
Unit of Sale	Pair

