

Oakley Lever on Latch Backplate

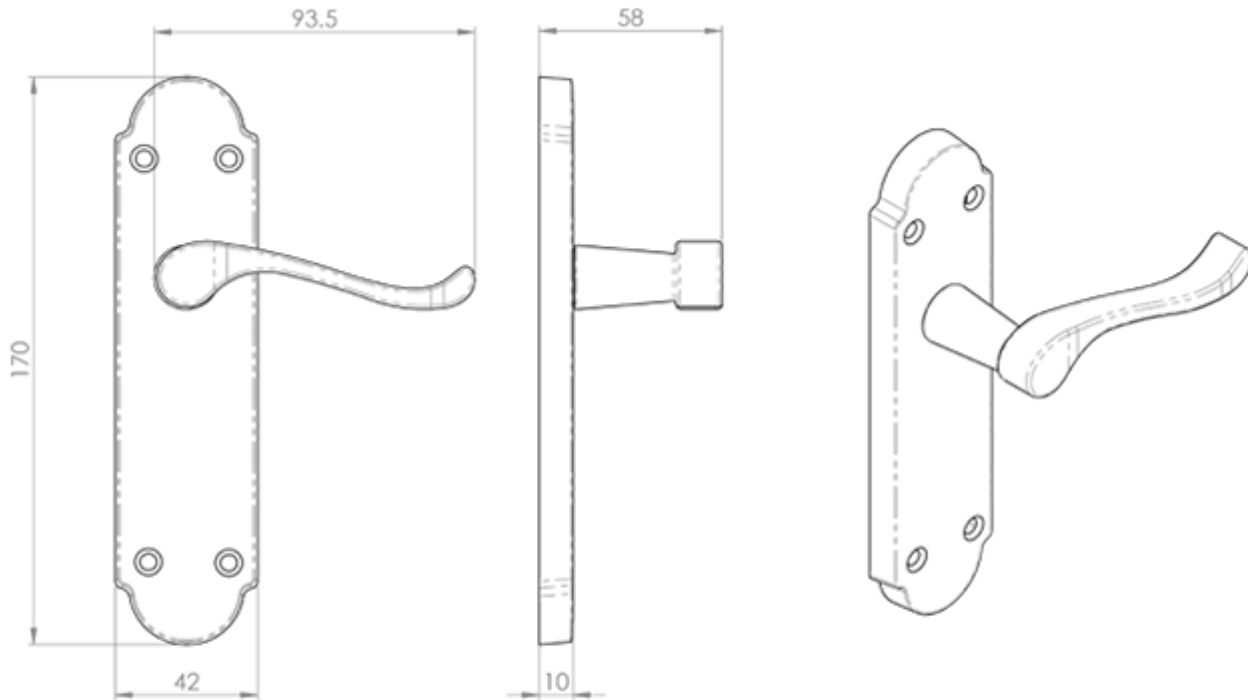
Product Images



Description

Lever on latch backplate. A conventional Victorian style upturned handle on a shaped backplate, elegant and versatile. The back plate has an shouldered shape that gives a classical appearance, while the lever features a scroll style that is very easy to grip. Comes with a 10 year mechanical guarantee and is Fire door rated.

Technical Details



© CARLISLE BRASS

DL167

This drawing is the property of Carlisle Brass Limited, all design rights reserved

Specification



Additional Information

SKU	DL167CP
Brands	Carlisle Brass
Finishes	Polished Chrome
Options	Boxed
Sizes	170mm x 42mm Backplate
Technical	4,25,49
Line Drawings	DL167.PDF
Unit of Sale	Pair