

Victorian Scroll Lever on Shaped Latch Backplate

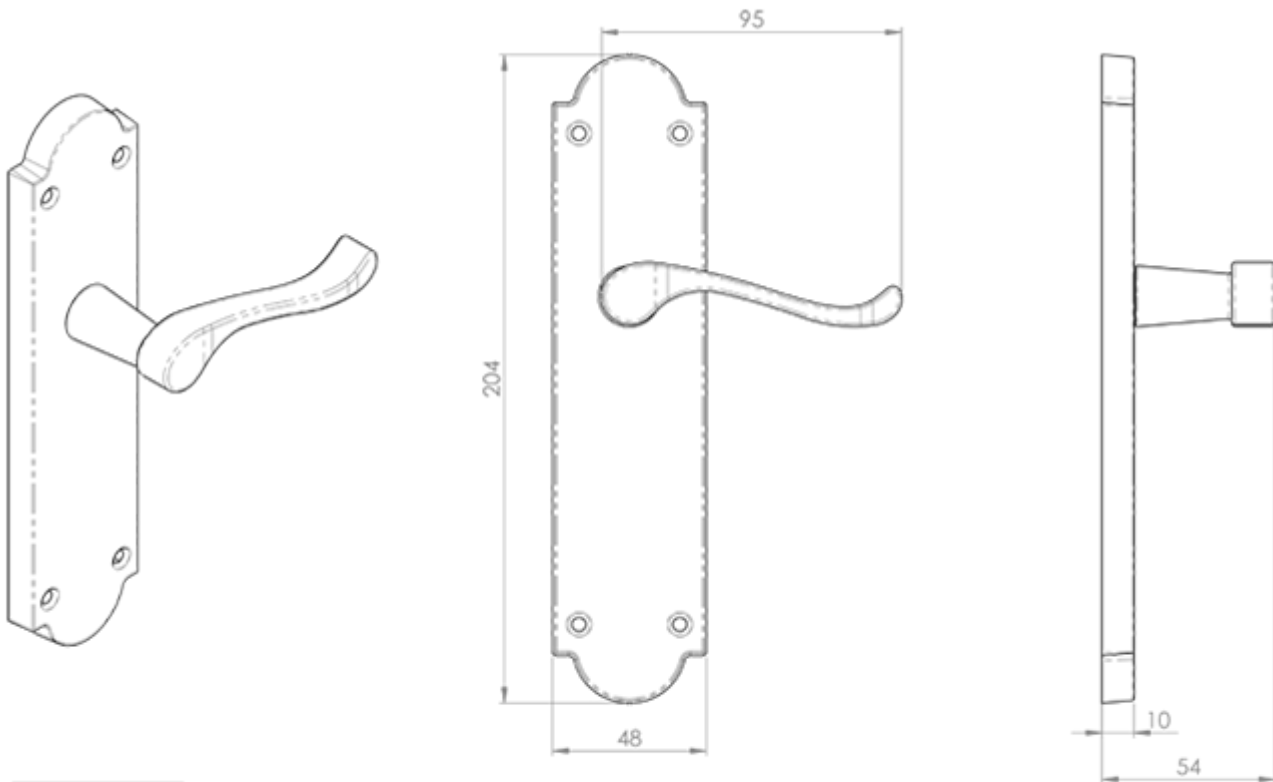
Product Images



Description

Lever on latch backplate. A conventional Victorian style upturned handle on a shaped backplate, elegant and stylish. The back plate has an shouldered shape that gives a classical appearance, while the lever features a scroll style that is very easy to grip. The simplicity of the handle makes it versatile and suitable for many environments. Comes with a 10 year mechanical guarantee and is Fire door rated. Suitable for domestic use.

Technical Details



CARLISLE BRASS

M67

This drawing is the property of Carlisle Brass Limited, all design rights reserved

Specification



Additional Information

SKU	M67SC
Brands	Carlisle Brass
Finishes	Satin Chrome
Options	Latch
Sizes	203mm x 48mm Backplate,
Technical	4
Line Drawings	M67.PDF