

Victorian Lever on Lock Backplate

Product Images

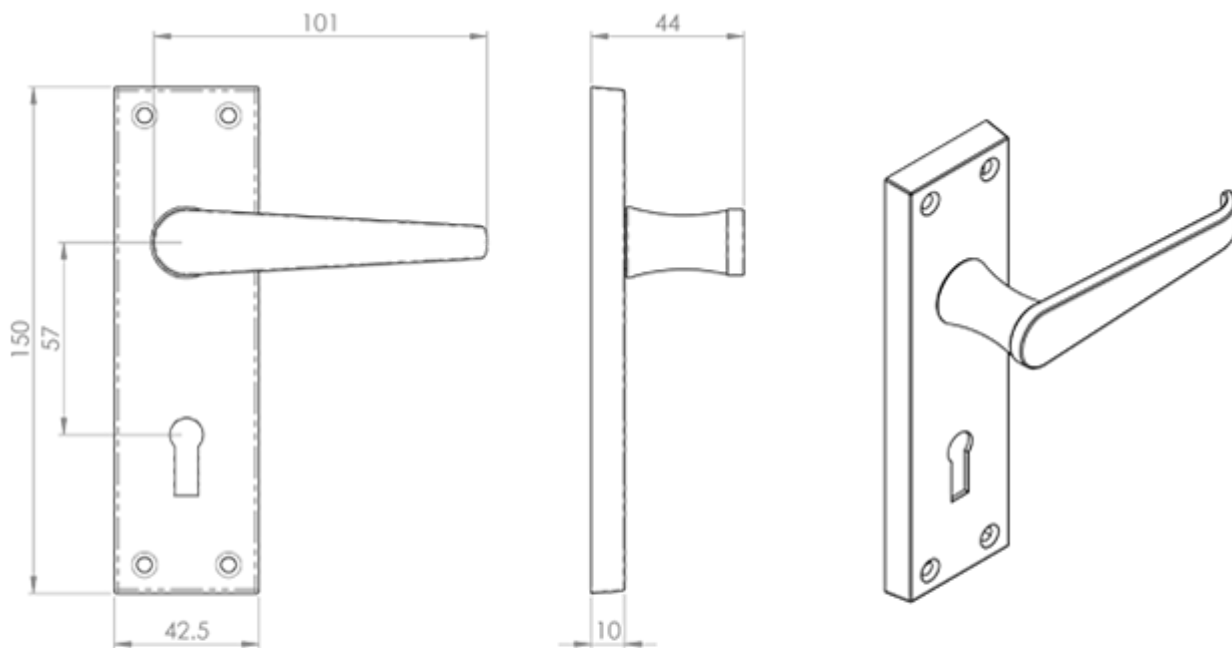


Description

Lever on lock backplate. A traditional Victorian styled handle. A straight shaped lever which curves round at the end for easy ergonomic use. The heavy

pattern design ensures that it will last for many years despite constant use in busy settings such as offices or restaurants. Comes with a 10 year mechanical guarantee and is Fire door rated.

Technical Details



 CARLISLE BRASS

M30

This drawing is the property of Carlisle Brass Limited, all design rights reserved

Specification



Additional Information

SKU	M30CP
Brands	Carlisle Brass
Finishes	Polished Chrome
Options	Boxed
Sizes	150mm x 42.5mm Backplate
Technical	4,49
Line Drawings	M30.PDF