

Ashtead Lever on Short Latch Backplate

Product Images

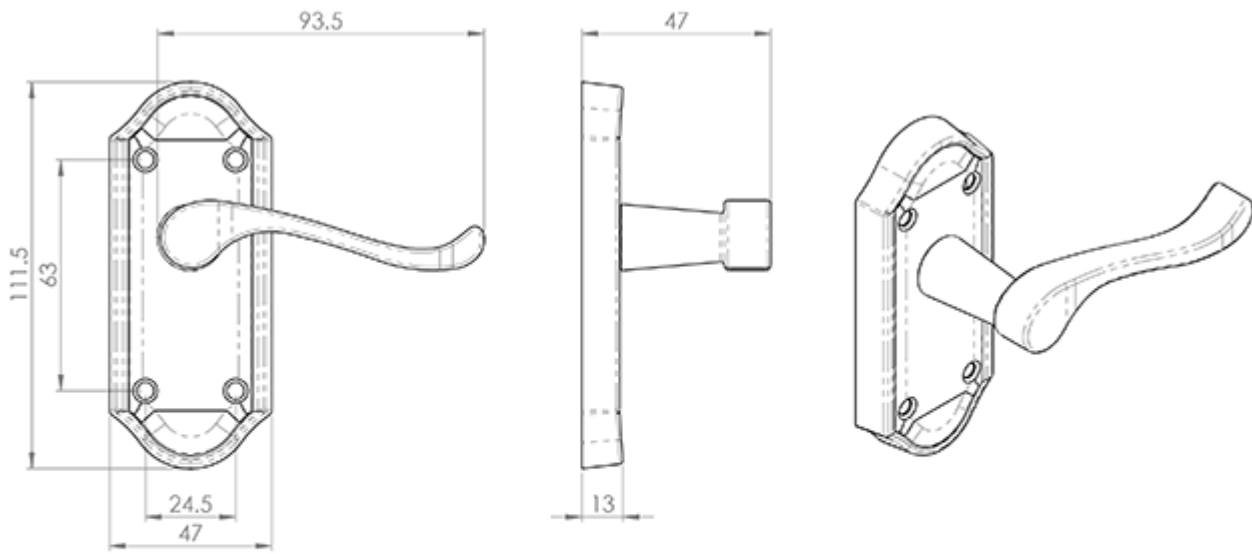


Description

Lever on short latch backplate. A Victorian style upturned handle on a shaped backplate. The back plate has a raised edging feature elevating this above

the ordinary to a deluxe standard, elegant and versatile. Comes with a 10 year mechanical guarantee and is Fire door rated.

Technical Details



© CARLISLE BRASS

DL16

This drawing is the property of Carlisle Brass Limited, all design rights reserved

Specification



Additional Information

SKU	DL16CP
Brands	Carlisle Brass
Finishes	Polished Chrome
Options	Boxed
Sizes	112mm x 48mm Backplate
Features	Short Plate
Technical	4,26
Line Drawings	DL16.PDF