



Victorian Ascot Lever on Lock Backplate

Product Images

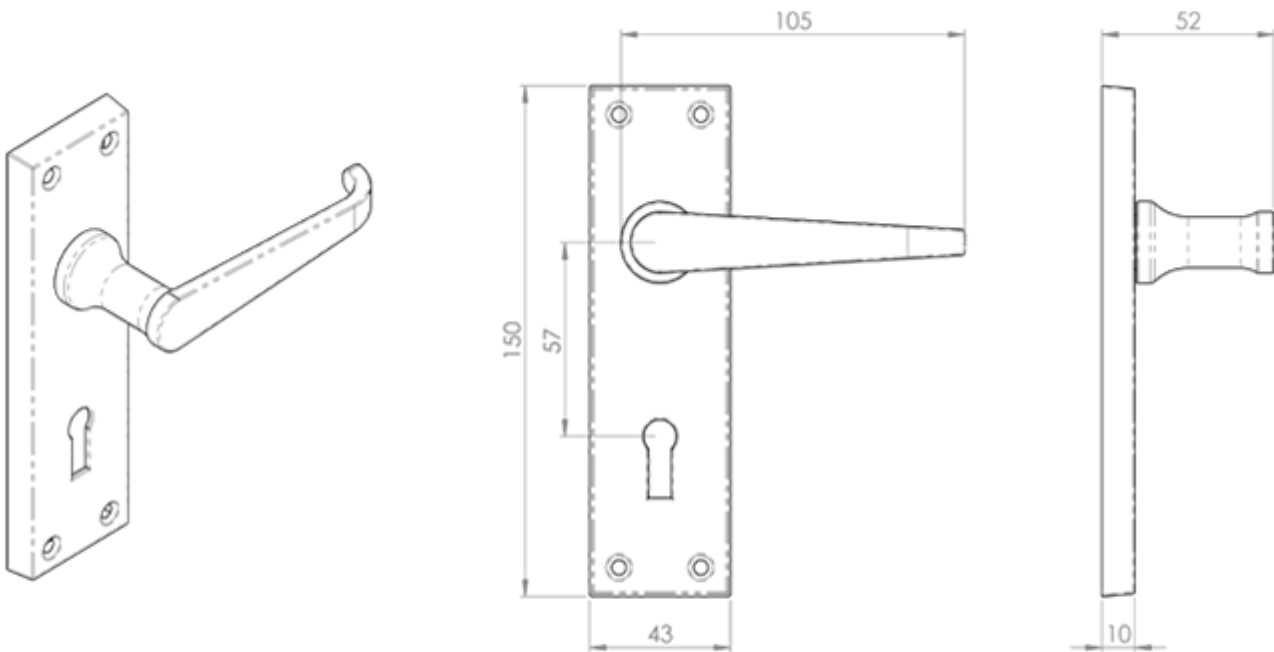


Description

Lever on lock backplate. Standard profile 57mm c/c. A traditional Victorian styled handle on a standard plain rectangular backplate. A straight shaped

lever which curves round at the end for easy ergonomic use. The heavy pattern design ensures that it will last for many years despite constant use in busy settings such as offices or restaurants. Comes with a 10 year mechanical guarantee and is Fire door rated.

Technical Details



CARLISLE BRASS

DL30

This drawing is the property of Carlisle Brass Limited, all design rights reserved

Specification



Additional Information

Short Description	Ascot Lever on Lock Backplate
SKU	DL30
Barcode	5050245114241
Brands	Carlisle Brass
Finishes	Polished Brass
Options	Lock Profile
Sizes	150mm x 43mm Backplate
Technical	4,25
Line Drawings	DL30.PDF
Unit of Sale	Pair

