



Wing Lever on Lock Backplate

Product Images

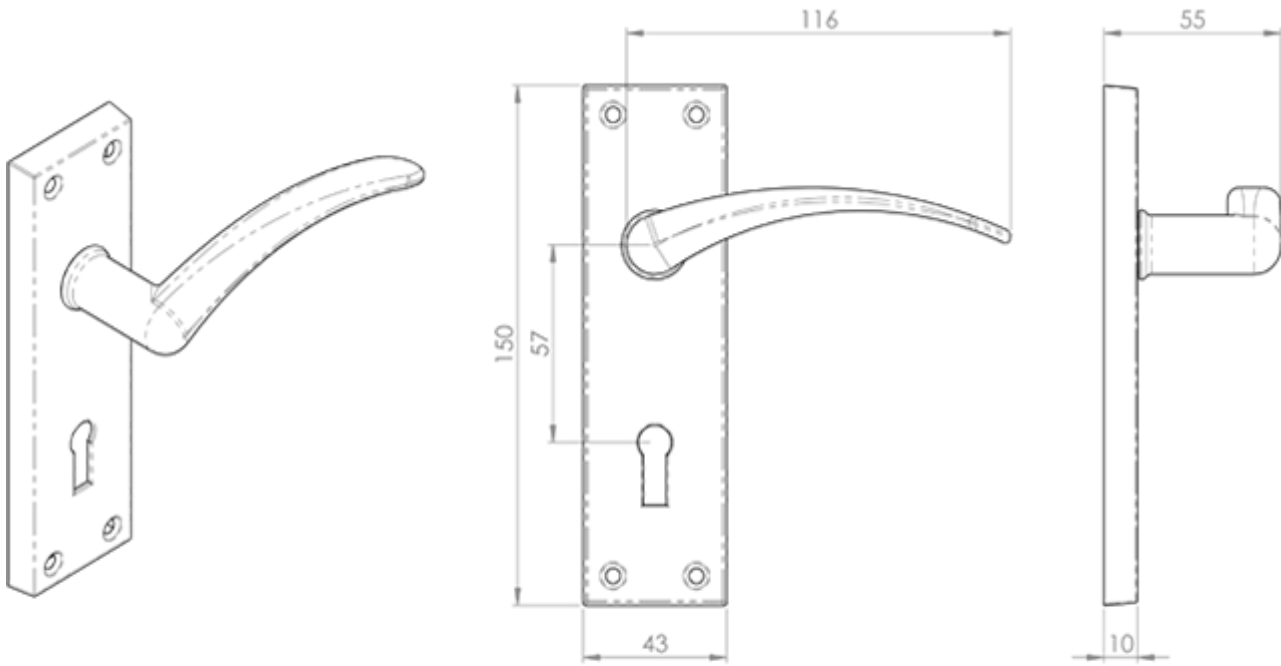


Description

Lever on lock backplate. A slim curved lever on a rectangular backplate. The arched lever handle features a sleek curve, thinning out towards the end for a comfortable and ergonomic grip. The backplate has a square, modern design which nicely compliments and offsets the lever style. A contemporary door handle that features a sophisticated and elegant design. Comes with a 10 year mechanical guarantee and is Fire door rated.

[Click here for care instructions](#)

Technical Details



CARLISLE BRASS

DL64

This drawing is the property of Carlisle Brass Limited, all design rights reserved

Specification



Additional Information

Short Description	Wing Lever on Lock Backplate
SKU	DL64SC
Barcode	5050245117105
Brands	Carlisle Brass
Finishes	Satin Chrome
Options	Lock Profile
Sizes	150mm x 42mm Backplate
Technical	4,25
Line Drawings	DL64.PDF
Unit of Sale	Pair

