

Wing Lever on Short Latch Backplate

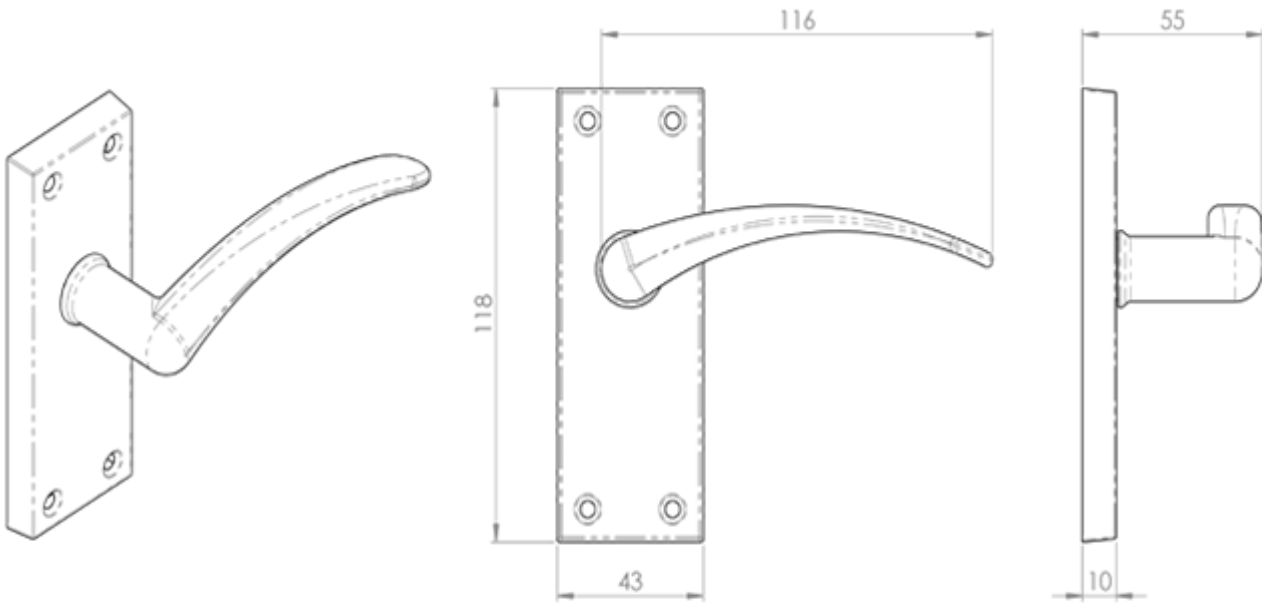
Product Images



Description

Lever on latch backplate. A slim curved lever on a rectangular backplate. The arched lever handle features a sleek curve, thinning out towards the end for a comfortable and ergonomic grip. The backplate has a square, modern design which nicely compliments and offsets the lever style. A contemporary door handle that features a sophisticated and elegant design. Comes with a 10 year mechanical guarantee and is Fire door rated.

Technical Details



CARLISLE BRASS

DL65

This drawing is the property of Carlisle Brass Limited, all design rights reserved

Specification



Additional Information

SKU	DL65SC
Brands	Carlisle Brass
Finishes	Satin Chrome
Options	Latch
Sizes	115mm x 42mm Backplate
Technical	4,25
Line Drawings	DL65.PDF
Unit of Sale	Pair