

Andros Lever on Long Lock Backplate

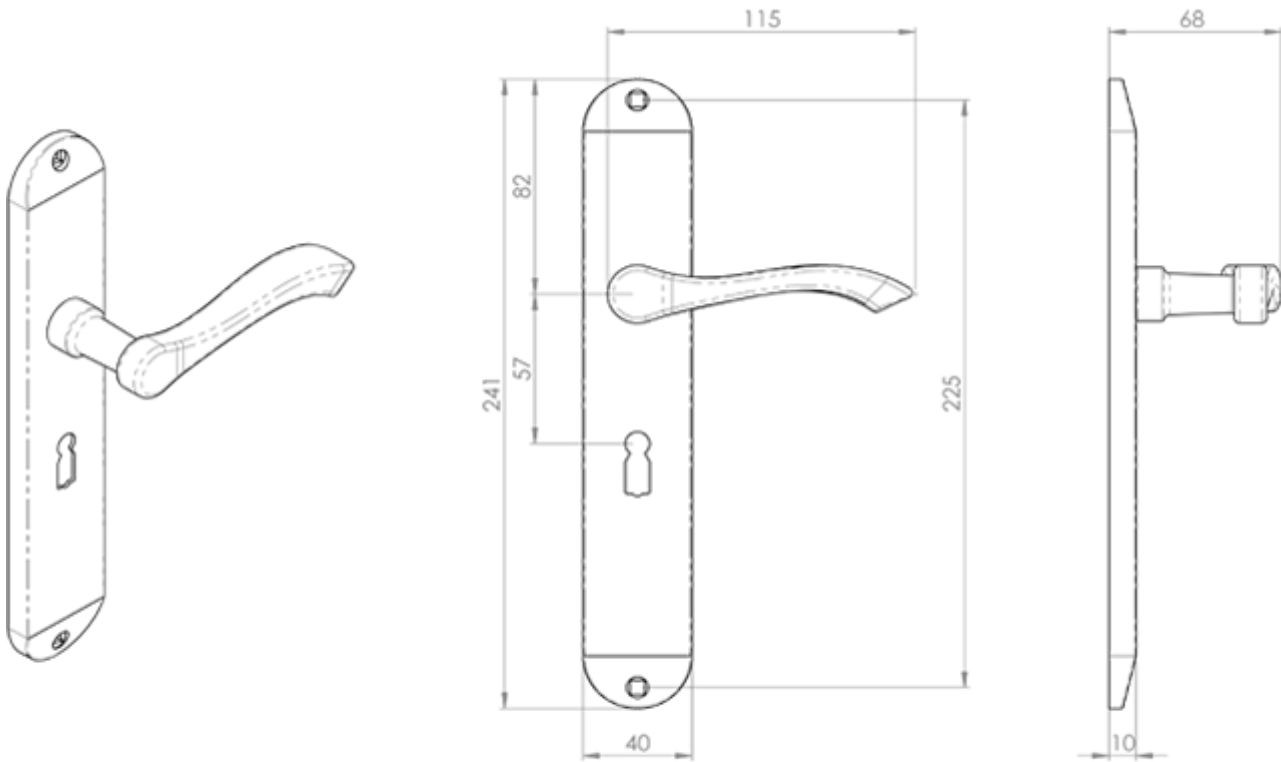
Product Images



Description

Lever on long lock backplate. Standard profile 57mm c/c. A solid curved sweeping lever on an elegant rounded backplate with a chamfered section at the top and bottom. The smooth and solid feel oozes quality making this a deluxe handle of choice. The other feature is the single hole top and bottom, which accepts the back-to-back bolt through fixings giving a discreet and neat finish. Comes with a 10 year mechanical guarantee and is Fire door rated.

Technical Details



© CARLISLE BRASS

DL380

This drawing is the property of Carlisle Brass Limited, all design rights reserved

Specification



Additional Information

SKU	DL380CP
Brands	Carlisle Brass
Finishes	Polished Chrome
Options	Lock Profile
Sizes	240mm x 40mm Backplate
Technical	4,25
Line Drawings	DL380.PDF
Unit of Sale	Pair