



Andros Lever on Latch Backplate

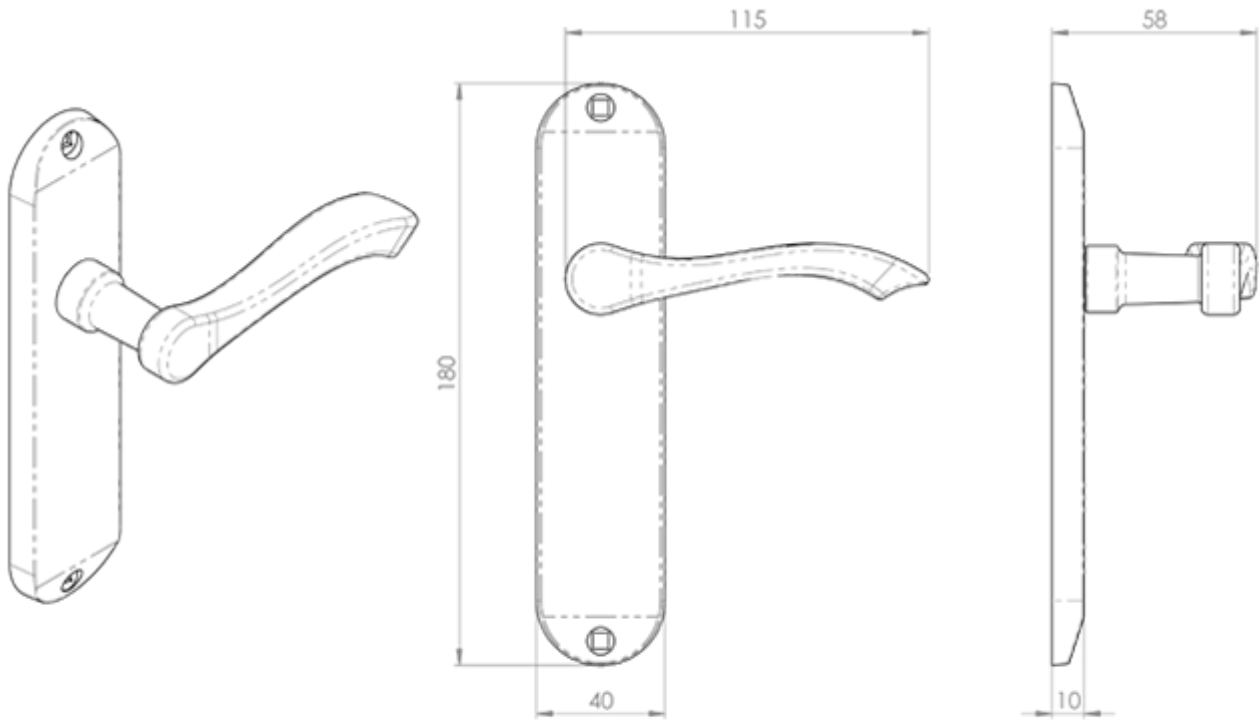
Product Images



Description

Lever on latch backplate. A solid curved sweeping lever on an elegant rounded backplate with a chamfered section at the top and bottom. The smooth and solid feel oozes quality making this a deluxe handle of choice. The other feature is the single hole top and bottom, which accepts the back-to-back bolt through fixings giving a discreet and neat finish. Comes with a 10 year mechanical guarantee and is Fire door rated.

Technical Details



CARLISLE BRASS

DL181

This drawing is the property of Carlisle Brass Limited, all design rights reserved

Specification



Additional Information

Short Description	Andros Lever on Latch Backplate
SKU	DL181
Barcode	5050245112834
Brands	Carlisle Brass
Finishes	Polished Brass
Options	Latch
Sizes	180mm x 40mm Backplate
Technical	4,25,49
Line Drawings	DL181.PDF
Unit of Sale	Pair

