

## Wing Lever on Lock Backplate

### Product Images

---

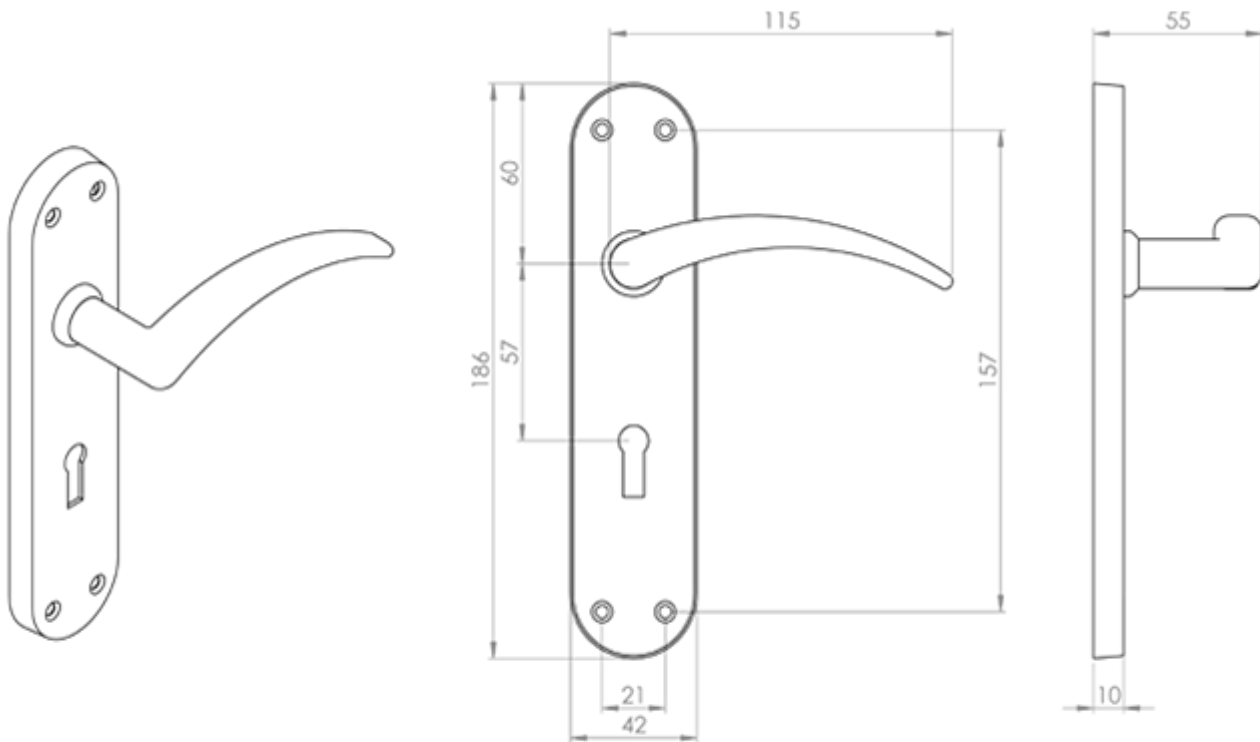


### Description

---

Lever on lock backplate. Standard profile 57mm c/c. Plain, shaped backplate with rounded ends. The arched lever handle features a sleek curve, thinning out towards the end for a comfortable and ergonomic grip. An understated handle with finesse and sophistication reflected in its simplicity. Comes with a 10 year mechanical guarantee and is Fire door rated. Suitable for domestic and commercial use.

## Technical Details



 CARLISLE BRASS

### EL60

This drawing is the property of Carlisle Brass Limited, all design rights reserved

## Specification



## Additional Information

SKU	EL60SC
Brands	Carlisle Brass
Finishes	Satin Chrome
Options	Lock Profile
Sizes	185 x 42mm Backplate
Technical	4,25
Line Drawings	EL60.PDF