

Wentworth Lever on Lock Backplate

Product Images

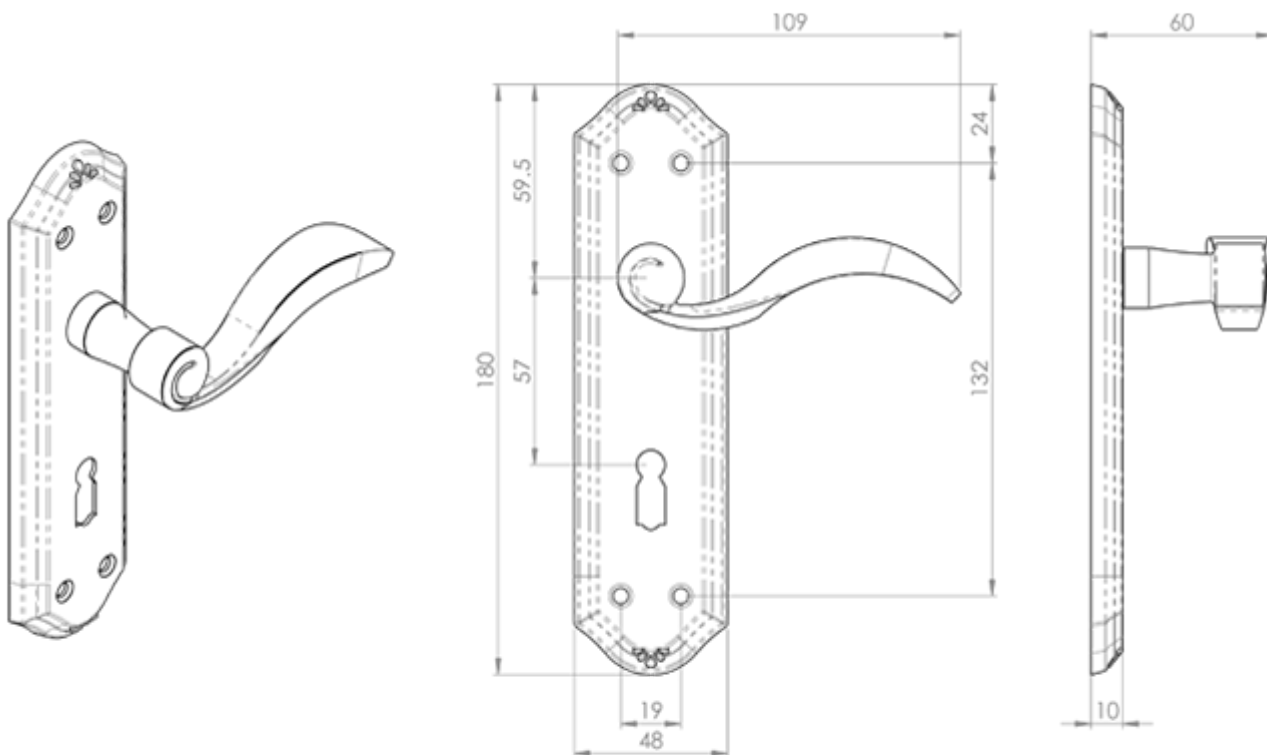


Description

Lever on lock backplate. Standard profile 57mm c/c. A swept curved handle on a sculpted edge shaped backplate. The lever has an etched swirl shape

leading into the prominent high curve that makes it easy to grip and use. The backplate has a unique, stepped design which nicely compliments the lever style. This handle adds a refined look to any interior. Comes with a 10 year mechanical guarantee and is Fire door rated.

Technical Details



 CARLISLE BRASS

DL340

This drawing is the property of Carlisle Brass Limited, all design rights reserved

Specification



Additional Information

SKU	DL340
Brands	Carlisle Brass
Finishes	Polished Brass
Options	Lock Profile
Sizes	180mm x 48mm Backplate
Technical	4,25,49
Line Drawings	DL340.PDF