



Eden Lever on Lock Backplate

Product Images

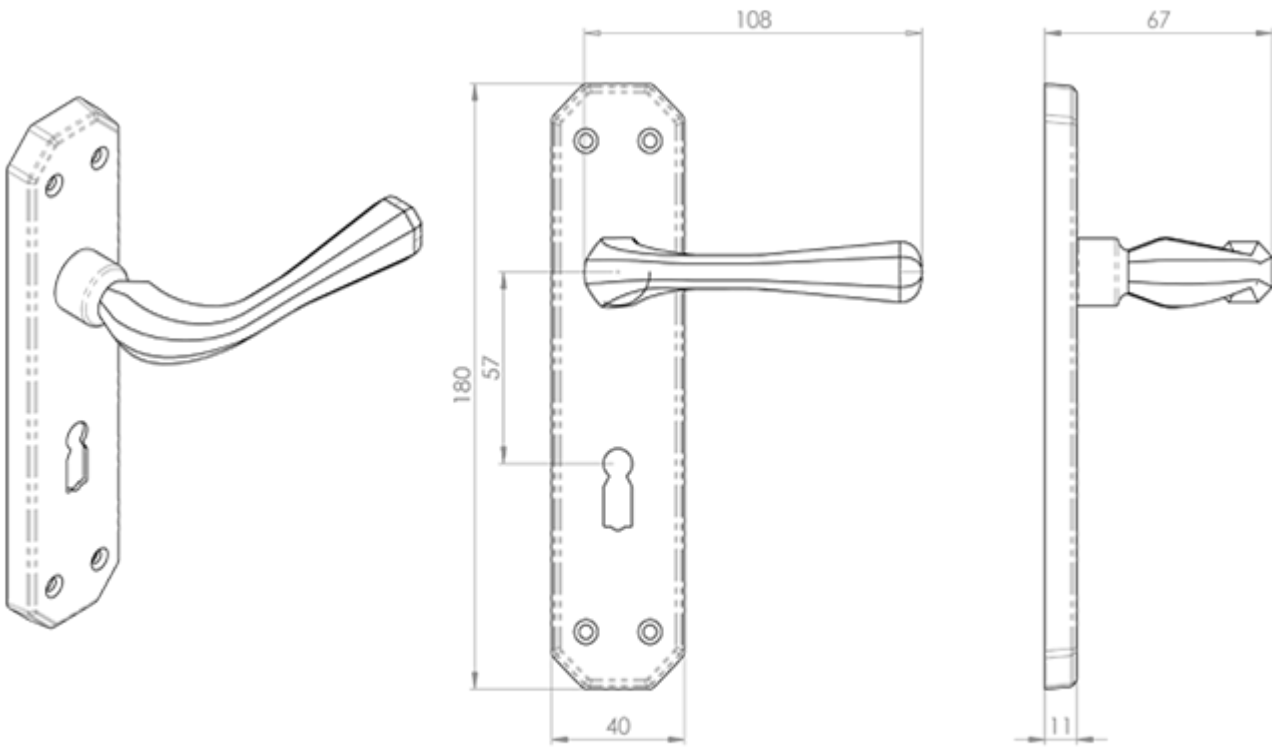


Description

Lever on lock backplate. Standard profile 57mm c/c. A unique and distinctive geometric lever on a formed angular backplate. The shape of the lever itself is slim at the middle and chunky towards the end of the handle, allowing the user to grip it firmly when used. The angular cut backplate compliments the faceted diamond cut geometry of the handle. This is an ideal choice for use in many settings, such as at home or at shops and offices. Comes with a 10

year mechanical guarantee and is Fire door rated.

Technical Details



CARLISLE BRASS

DL410

This drawing is the property of Carlisle Brass Limited, all design rights reserved

Specification



Additional Information

Short Description	Eden Lever on Lock Backplate
SKU	DL410
Barcode	5050245115309
Brands	Carlisle Brass
Finishes	Polished Brass
Options	Lock Profile
Sizes	180mm x 42mm Backplate
Technical	4,25
Line Drawings	DL410.PDF
Unit of Sale	Pair

