

## Eden Lever on Lock Backplate

Product Images

---



## Description

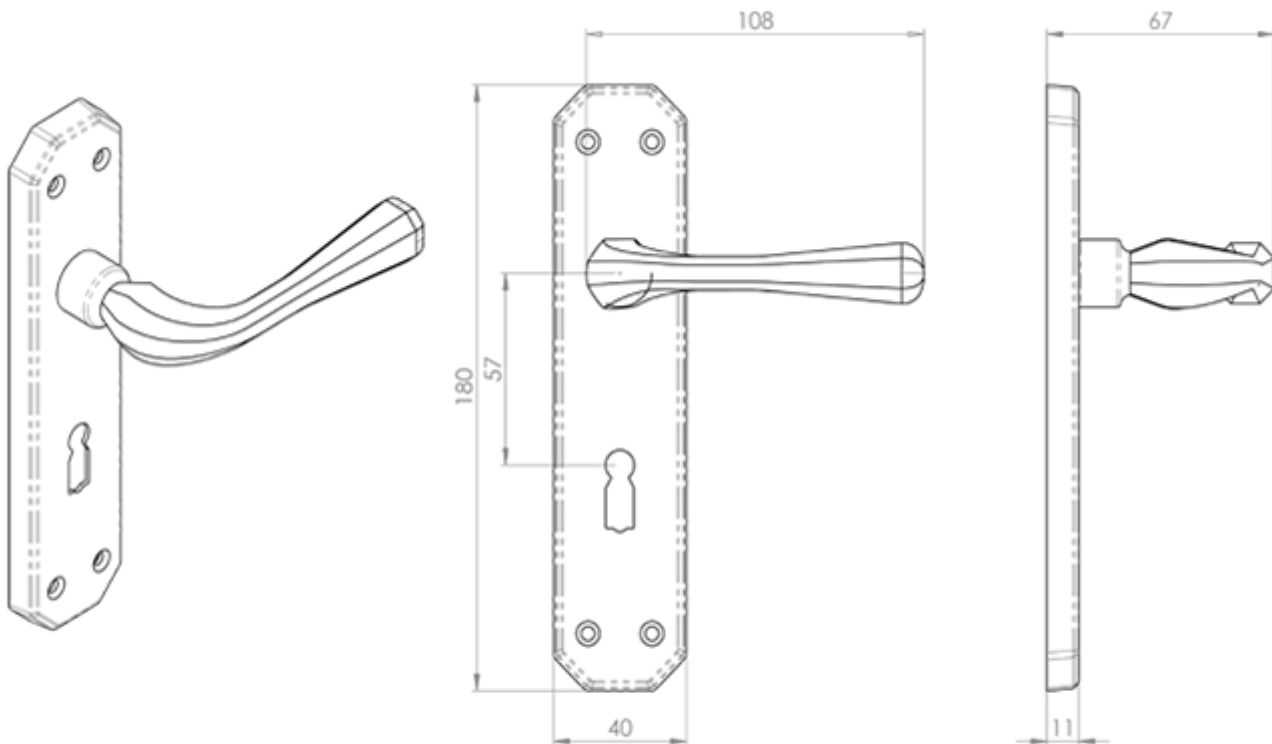
---

Lever on lock backplate. Standard profile 57mm c/c. A unique and distinctive geometric lever on a formed angular backplate. The shape of the lever itself is slim at the middle and chunky towards the end of the handle, allowing the user to grip it firmly when used. The angular cut backplate compliments the faceted diamond cut geometry of the handle. This is an ideal choice for use in many settings, such as at home or at shops and offices. Comes with a 10 year mechanical guarantee and is Fire door rated. .

[Click here for care instructions](#)

## Technical Details

---



CARLISLE BRASS

**DL410**

This drawing is the property of Carlisle Brass Limited, all design rights reserved

## Specification

---



## Additional Information

---

Short Description	Eden Lever on Lock Backplate
SKU	DL410SC
Barcode	5050245115330
Brands	Carlisle Brass
Finishes	Satin Chrome
Options	Lock Profile
Sizes	180mm x 42mm Backplate
Technical	4,25
Line Drawings	DL410.PDF
Unit of Sale	Pair