



Eden Lever on Latch Backplate

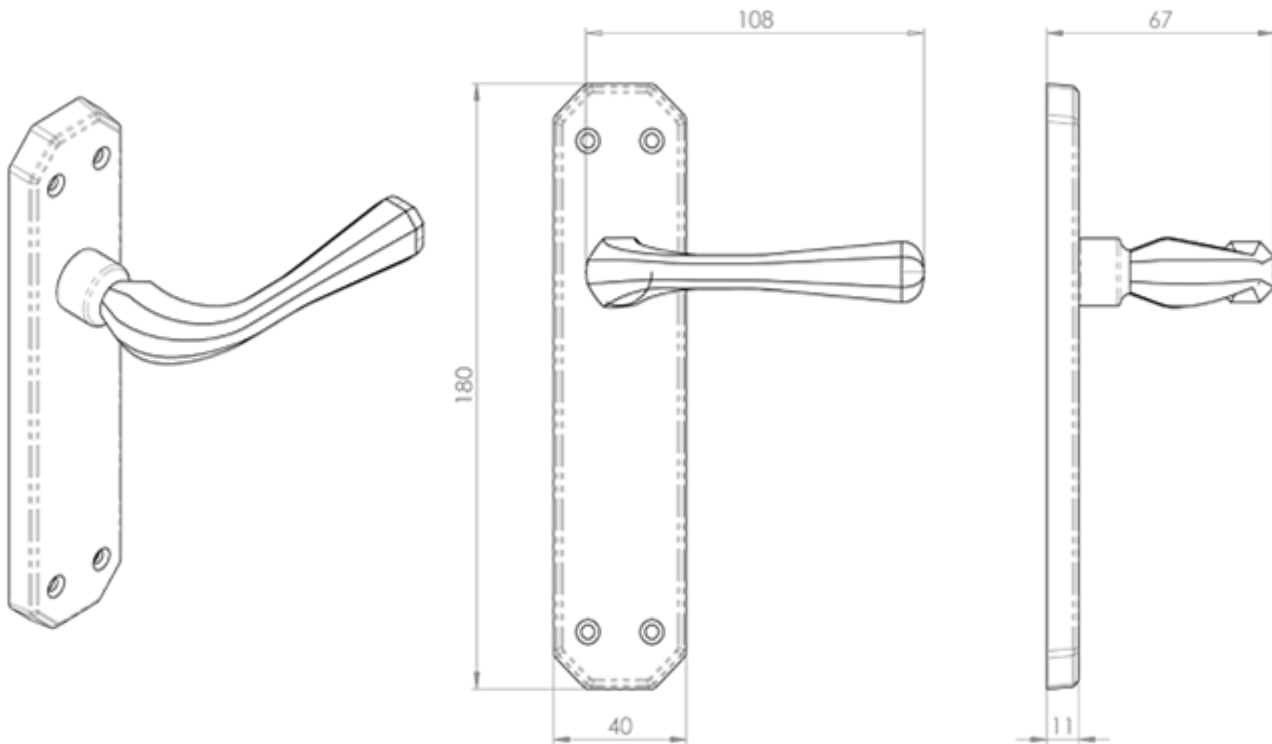
Product Images



Description

Lever on latch backplate. A unique and distinctive geometric lever on a formed angular backplate. The shape of the lever itself is slim at the middle and chunky towards the end of the handle, allowing the user to grip it firmly when used. The angular cut backplate compliments the faceted diamond cut geometry of the handle. This is an ideal choice for use in many settings, such as at home or at shops and offices. Comes with a 10 year mechanical guarantee and is Fire door rated.

Technical Details



CARLISLE BRASS

DL411

This drawing is the property of Carlisle Brass Limited, all design rights reserved

Specification



Additional Information

Short Description	Eden Lever on Latch Backplate
SKU	DL411
Barcode	5050245115378
Brands	Carlisle Brass
Finishes	Polished Brass
Options	Latch
Sizes	180mm x 42mm Backplate
Technical	4,25
Line Drawings	DL411.PDF
Unit of Sale	Pair

