

Victorian Wing Lever on Round Rose

Product Images

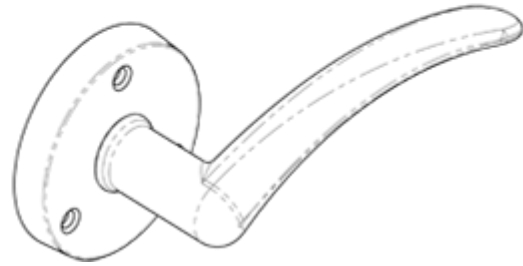
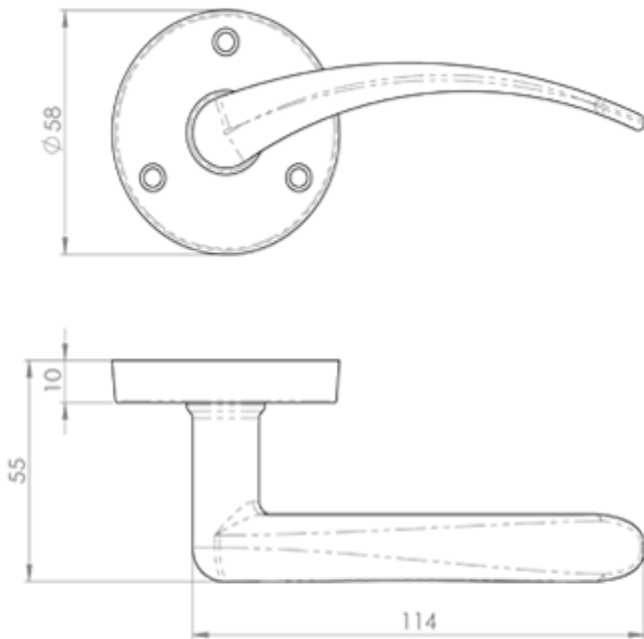


Description

An elegant slim curved lever on a round rose. The arched lever handle features a sleek curve, thinning out towards the end for a comfortable and

ergonomic grip. The three point fixing provides secure and easy installation. A contemporary door handle that features a sophisticated and chic design. Comes with a 10 year mechanical guarantee and is Fire door rated. Suitable for domestic and commercial use.

Technical Details



 CARLISLE BRASS

DL66

This drawing is the property of Carlisle Brass Limited, all design rights reserved

Specification



Additional Information

SKU	DL66
Brands	Carlisle Brass
Finishes	Polished Brass
Sizes	56mm Dia. Rose
Features	Face Fix
Technical	4,25,49
Line Drawings	DL66.PDF