



Ring Handle Gate Latch

Product Images



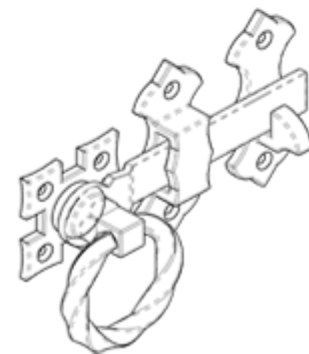
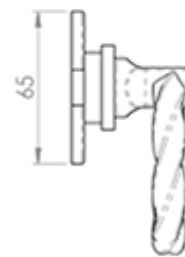
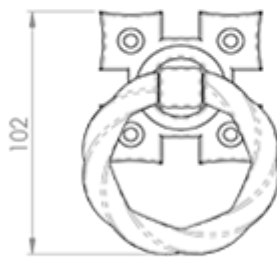
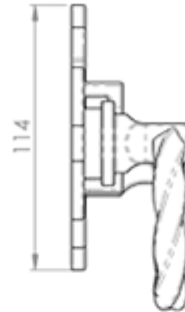
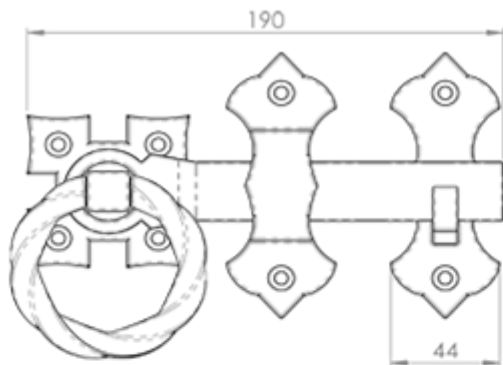
Description

Black Antique basic ring handle gate latch. When the ring handle is lifted and turned this raises the latch bar from its keep allowing the gate to open.

Comes with a 10 year mechanical guarantee. Ludlow Black Antique is a traditional range of furniture with a powder coated Black finish.

[Click here for care instructions](#)

Technical Details



LF5547

This drawing is the property of Carlisle Brass Limited, all design rights reserved

Specification



Additional Information

Short Description	Black Antique Ring Handle Gate Latch
SKU	LF5547
Brands	Carlisle Brass
Finishes	Black Antique
Sizes	6'
Technical	4
Line Drawings	LF5547.PDF
Unit of Sale	Each

