

## Traditional Lever on Latch Backplate

Product Images

---



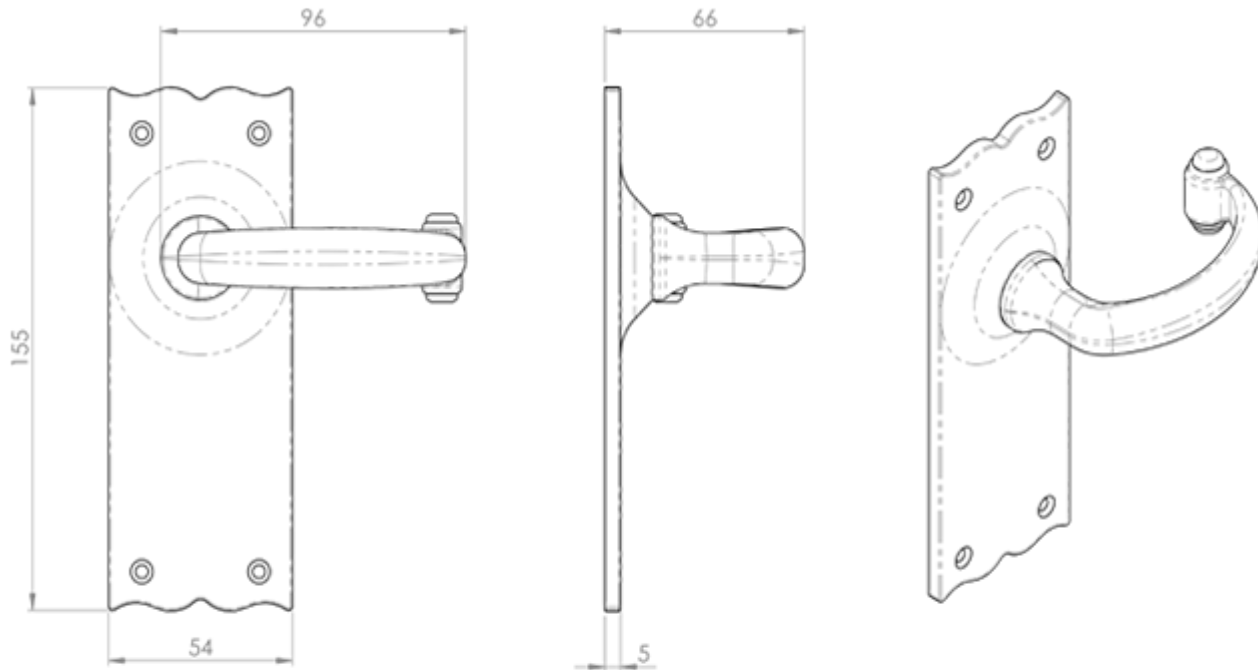
## Description

---

Black Antique lever on latch backplate. An elegant and traditionally designed inward curved handle, ending with a wrapped flange flourish. The decorative backplate with undulating edging top and bottom give a softer traditional appearance to the door handle. Comes with a 10 year mechanical guarantee. Suitable for domestic use. Ludlow Black Antique is a traditional range of furniture with a powder coated Black finish.

## Technical Details

---



LF5502

This drawing is the property of Carlisle Brass Limited, all design rights reserved

## Specification

---



## Additional Information

---

|               |                        |
|---------------|------------------------|
| SKU           | LF5502                 |
| Brands        | Ludlow Foundries       |
| Finishes      | Black Antique          |
| Options       | Latch                  |
| Sizes         | 155mm x 55mm Backplate |
| Technical     | 4                      |
| Line Drawings | LF5502.PDF             |